



Exhibit Planning & Design

Task 4 Submittal
RFP 11-001

Production Documents, Book 1 of 3
Exhibit Design Drawings

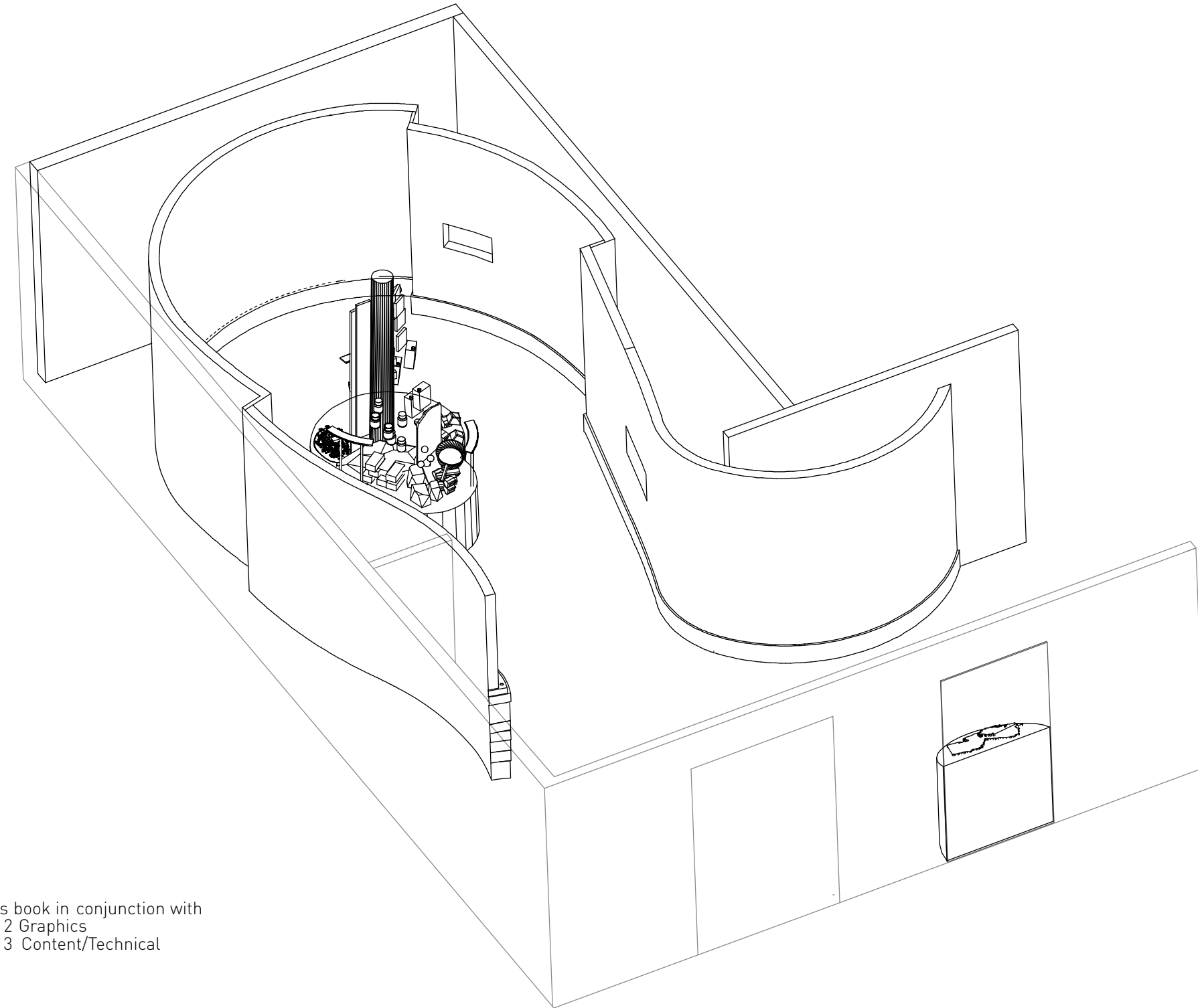
- Material and finishes
- AV equipment specifications
- Reference material for specialized elements

Submitted to:
NJ Pinelands Commission
New Lisbon, NJ

Submitted by:
Content • Design Collaborative LLC
Scituate, Massachusetts

Table of Contents

- 0.1 Exhibit Plan
- 0.2 Exhibit Gallery Plan
- 0.3 Wall Location
- 0.4 Reflected Ceiling Plan
- 0.5 Overall Wall Elevation
- 1.0 Introduction Area
 - 1.1 Touchable Map
 - 1.2 Hidden Wonders Wall
 - 1.3 Hidden Wonders Flip Up Panels
- 2.0 Area 2.0 Geology
 - 2.1 Geology
 - 2.2 Details
 - 2.3 Aquifer Interactive
 - 2.4 Aquifer Interactive
- 3.0 Area 3.0 Uplands
 - 3.1 Uplands Elevations
 - 3.2 Details
 - 3.3 Flipbook
- 4.0 Area 4.0 Wetlands
 - 4.1 Wetlands Elevations
- 5.0 Area 5.0 Surface Waters
 - 5.1 Elevations and Details
 - 5.2 Cedar Water Interactive
 - 5.3 Cedar Water Interactive
- 6.0 Pinelands Resources
 - 6.1 Elevations
 - 6.2 Elevations
 - 6.3 Object Reference Key
 - 6.4 Graphic Rail Details
- 7.0 Map Graphic
- 7.1 Video & Frame Details
- 8.0 General Details
- 8.1 Renderings



Note
Use this book in conjunction with
• Book 2 Graphics
• Book 3 Content/Technical



Written dimensions supercede scaled measurements. Contractors and fabricators shall verify & be responsible for verifying all dimensions and conditions on site and inform Content Design Collaborative of any discrepancy in drawings prior to performing the work.

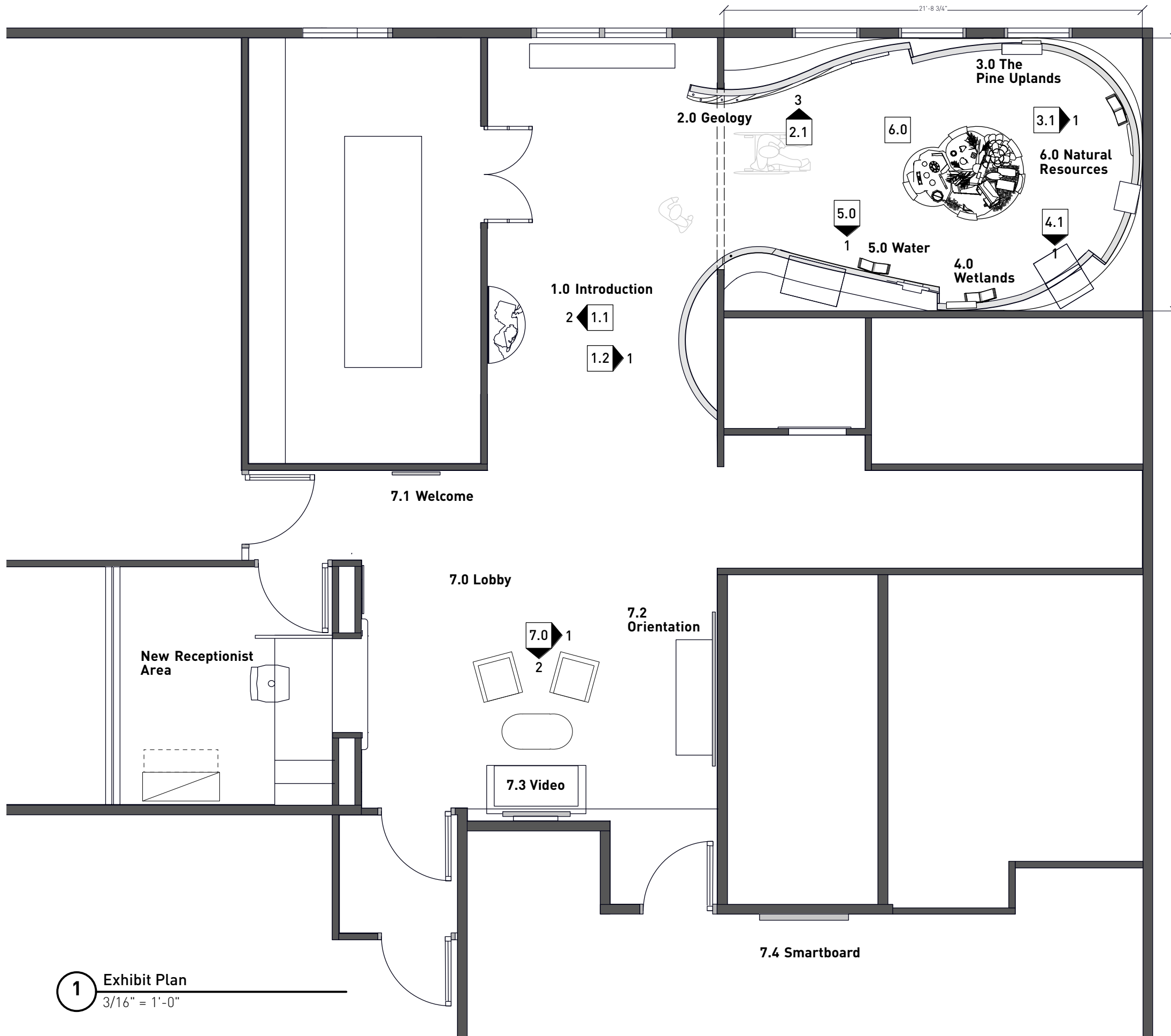
This document represents design intent only. Contractors and fabricators shall comply with all local electrical, structural & safety codes. Content Design Collaborative LLC will NOT assume responsibility or liability for inappropriate engineering, construction, handling or installation of any component represented herein.

DATES ISSUED

2.15.12	Task 3
5.31.12	Task 4

Drawn by:
SS

Title
Table of Contents



Elevation Key
Sheet-Detail

- 1.1-2 Touchable Map
- 1.2-1 Flap Interactive Wall
- 2.0-1 Geology
- 3.1-1 The Pineland Uplands
- 4.1-1 The Wetlands
- 5.1-2 Surface Waters
- 6.0 Natural Resources
- 7.0-1 Graphic Panel
- 7.0-2 Screen

1 Exhibit Plan
3/16" = 1'-0"



Written dimensions supercede scaled measurements. Contractors and fabricators shall verify & be responsible for verifying all dimensions and conditions on site and inform Content Design Collaborative of any discrepancy in drawings prior to performing the work.

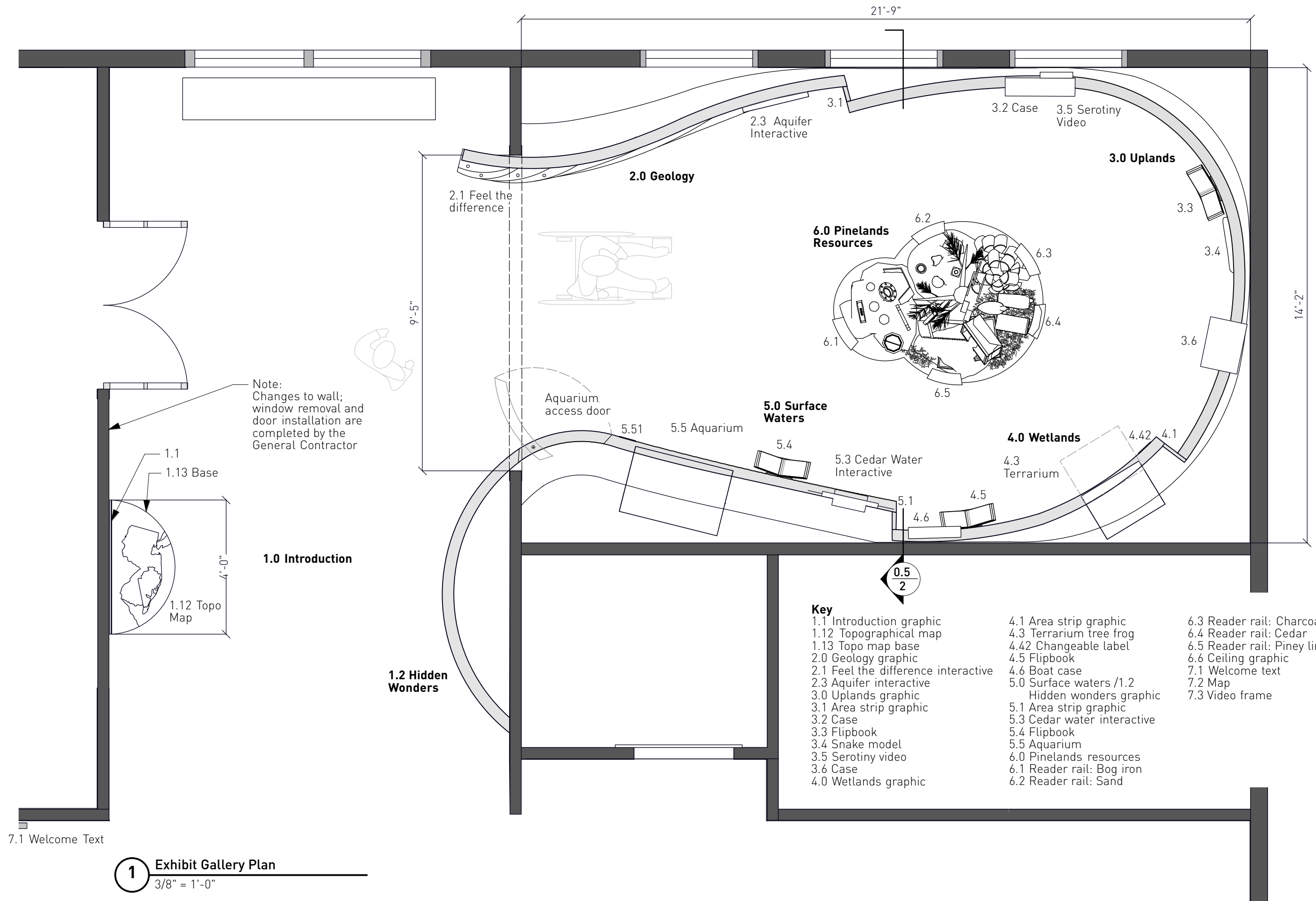
This document represents design intent only. Contractors and fabricators shall comply with all local electrical, structural & safety codes. Content Design Collaborative LLC will NOT assume responsibility or liability for inappropriate engineering, construction, handling or installation of any component represented herein.

DATES ISSUED

8.30.11 Review
2.15.12 Task 3

Drawn by:
SS

Title
Exhibit Plan



Note:
Changes to wall;
window removal and
door installation are
completed by the
General Contractor



1.0 Introduction

1.2 Hidden Wonders

2.0 Geology

3.0 Uplands

4.0 Wetlands

5.0 Surface Waters

6.0 Pinelands Resources

- Key**
- 1.1 Introduction graphic
 - 1.12 Topographical map
 - 1.13 Topo map base
 - 2.0 Geology graphic
 - 2.1 Feel the difference interactive
 - 2.3 Aquifer interactive
 - 3.0 Uplands graphic
 - 3.1 Area strip graphic
 - 3.2 Case
 - 3.3 Flipbook
 - 3.4 Snake model
 - 3.5 Serotiny video
 - 3.6 Case
 - 4.0 Wetlands graphic
 - 4.1 Area strip graphic
 - 4.3 Terrarium tree frog
 - 4.42 Changeable label
 - 4.5 Flipbook
 - 4.6 Boat case
 - 5.0 Surface waters /1.2 Hidden wonders graphic
 - 5.1 Area strip graphic
 - 5.3 Cedar water interactive
 - 5.4 Flipbook
 - 5.5 Aquarium
 - 6.0 Pinelands resources
 - 6.1 Reader rail: Bog iron
 - 6.2 Reader rail: Sand
 - 6.3 Reader rail: Charcoal
 - 6.4 Reader rail: Cedar
 - 6.5 Reader rail: Piney lingo
 - 6.6 Ceiling graphic
 - 7.1 Welcome text
 - 7.2 Map
 - 7.3 Video frame

7.1 Welcome Text

1 Exhibit Gallery Plan
3/8" = 1'-0"

Content•Design
COLLABORATIVE LLC
433 Country Way Scituate, MA 02066
781-378-1484 p 781-849-7910 f
contentdesign@me.com

New Jersey Pinelands Commission
15 Springfield Road
New Lisbon, NJ 08064
609-894-7300



Written dimensions supercede scaled measurements. Contractors and fabricators shall verify & be responsible for verifying all dimensions and conditions on site and inform Content Design Collaborative of any discrepancy in drawings prior to performing the work.

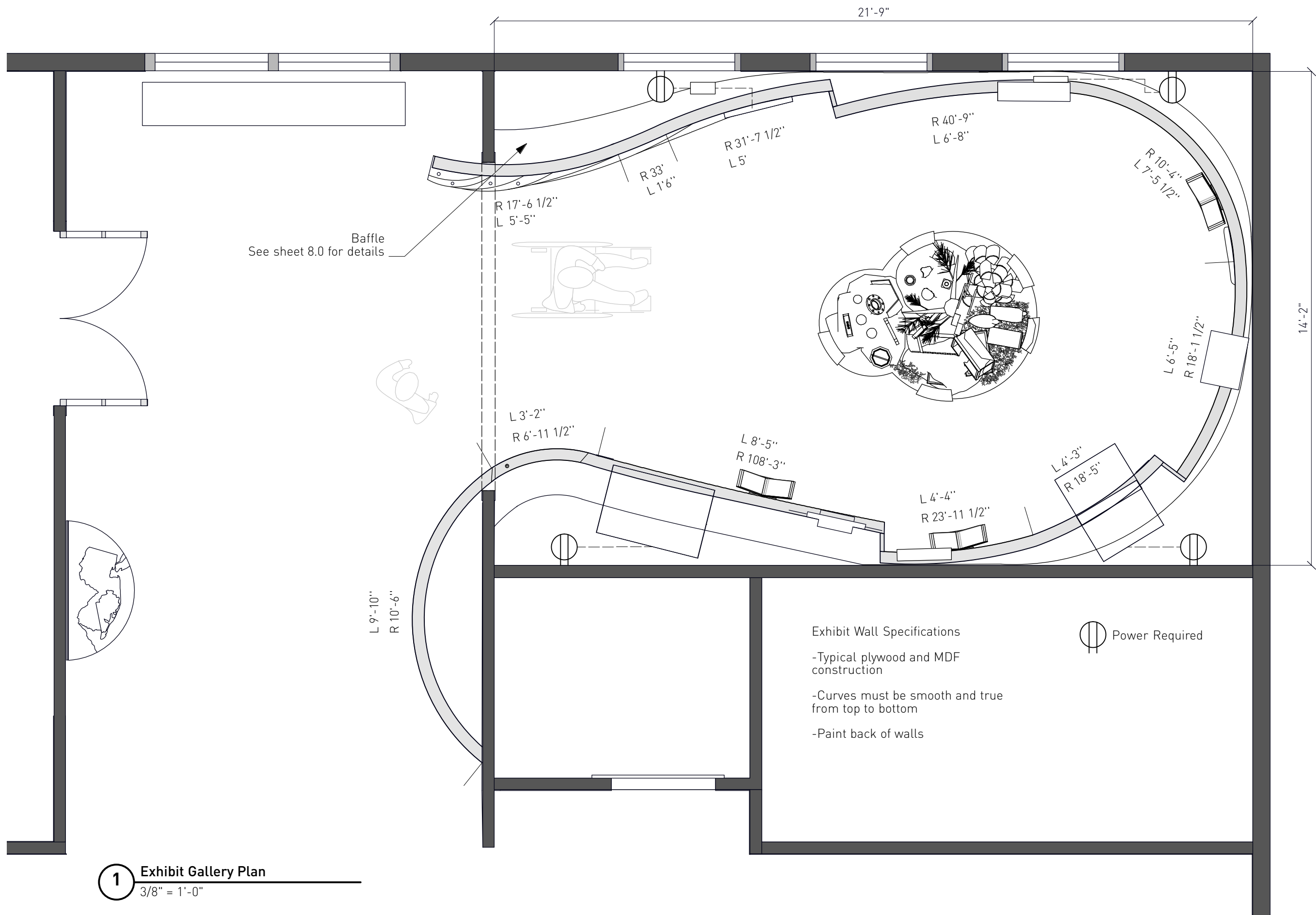
This document represents design intent only. Contractors and fabricators shall comply with all local electrical, structural & safety codes. Content Design Collaborative LLC will NOT assume responsibility or liability for inappropriate engineering, construction, handling or installation of any component represented herein.

DATES ISSUED

- 8.30.11 Review
- 2.15.12 Task 3
- 5.31.12 Task 4

Drawn by:
SS

Title
Exhibit Gallery Plan



1 Exhibit Gallery Plan
3/8" = 1'-0"



Written dimensions supercede scaled measurements. Contractors and fabricators shall verify & be responsible for verifying all dimensions and conditions on site and inform Content Design Collaborative of any discrepancy in drawings prior to performing the work.

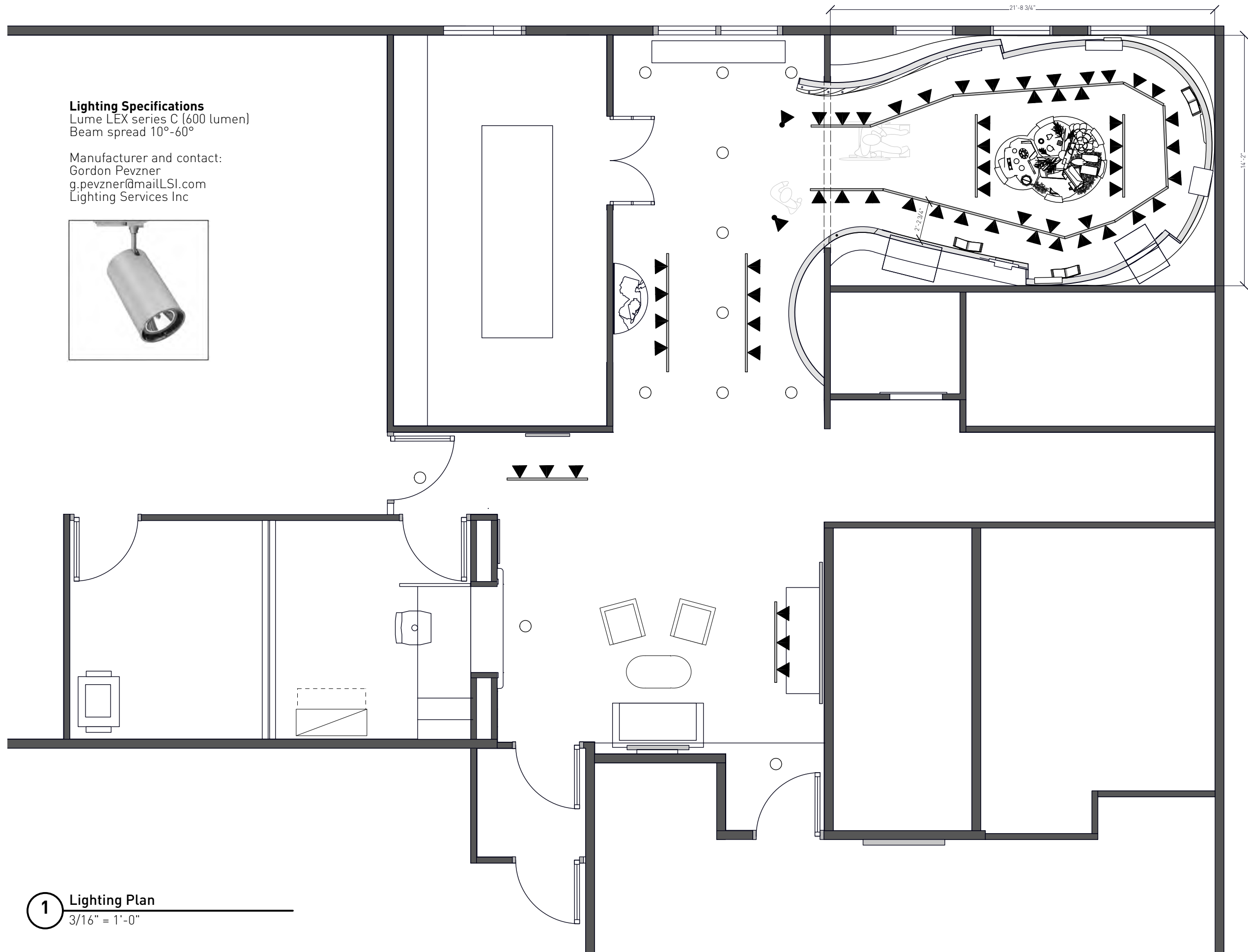
This document represents design intent only. Contractors and fabricators shall comply with all local electrical, structural & safety codes. Content Design Collaborative LLC will NOT assume responsibility or liability for inappropriate engineering, construction, handling or installation of any component represented herein.

DATES ISSUED

2.15.12 Task 3
5.31.12 Task 4

Drawn by:
SS

Title
Wall Location



Lighting Specifications
 Lume LEX series C (600 lumen)
 Beam spread 10°-60°

Manufacturer and contact:
 Gordon Pevzner
 g.pevzner@mailLSI.com
 Lighting Services Inc



1 Lighting Plan
 3/16" = 1'-0"



Written dimensions supercede scaled measurements. Contractors and fabricators shall verify & be responsible for verifying all dimensions and conditions on site and inform Content Design Collaborative of any discrepancy in drawings prior to performing the work.

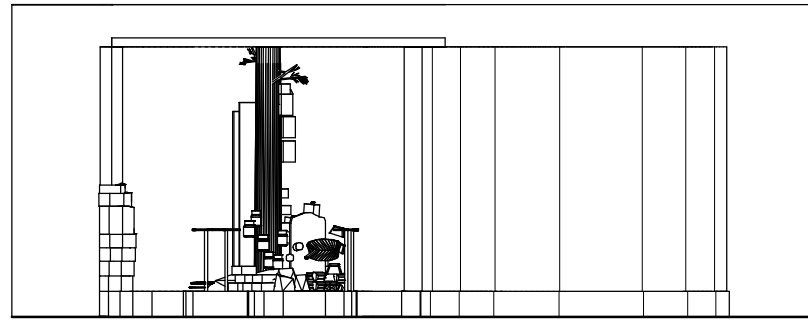
This document represents design intent only. Contractors and fabricators shall comply with all local electrical, structural & safety codes. Content Design Collaborative LLC will NOT assume responsibility or liability for inappropriate engineering, construction, handling or installation of any component represented herein.

DATES ISSUED

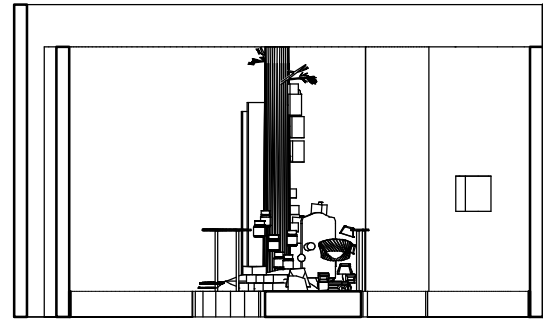
2.15.12 Task 3
 5.31.12 Task 4

Drawn by:
 SS

Title
Reflected Ceiling Plan



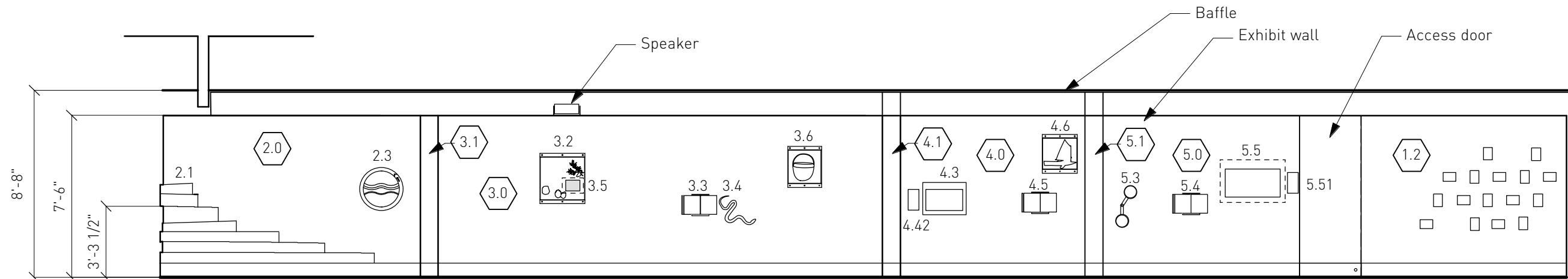
1 Entry Elevation
3/16" = 1'-0"



2 Entry Section
3/16" = 1'-0"

Key

- 1.1 Introduction graphic
- 1.12 Topographical map
- 1.13 Topo map base
- 2.0 Geology graphic
- 2.1 Feel the difference interactive
- 2.3 Aquifer interactive
- 3.0 Uplands graphic
- 3.1 Area strip graphic
- 3.2 Case
- 3.3 Flipbook
- 3.4 Snake model
- 3.5 Serotiny video
- 3.6 Case
- 4.0 Wetlands graphic
- 4.1 Area strip graphic
- 4.3 Terrarium tree frog
- 4.42 Changeable label
- 4.5 Flipbook
- 4.6 Boat case
- 5.0 Surface waters /1.2 Hidden wonders graphic
- 5.1 Area strip graphic
- 5.3 Cedar water interactive
- 5.4 Flipbook
- 5.5 Aquarium
- 5.51 Changeable label
- 6.0 Pinelands resources
- 6.1 Reader rail: Bog iron
- 6.2 Reader rail: Sand
- 6.3 Reader rail: Charcoal
- 6.4 Reader rail: Cedar
- 6.5 Reader rail: Piney lingo
- 6.6 Ceiling graphic
- 7.1 Welcome text
- 7.2 Map
- 7.3 Video frame



2.0 The Land

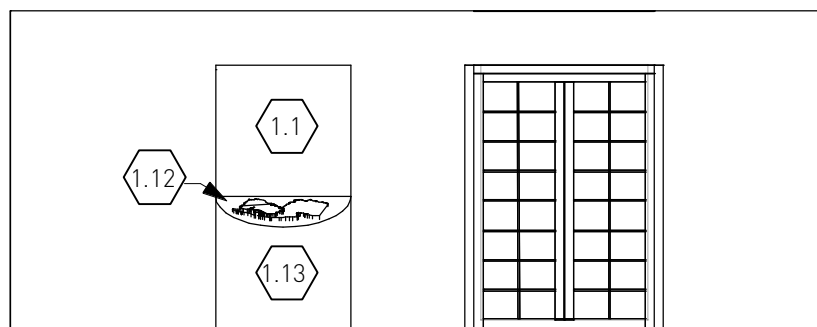
3.0 Pine Uplands

4.0 Wetlands

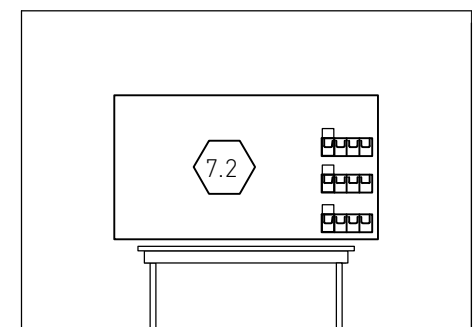
5.0 Surface Water

1.2 Flap Interactive Wall

3 Flattened Elevation
3/16" = 1'-0"



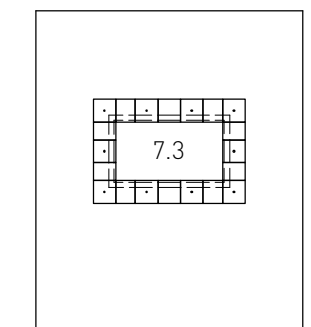
4 Topographical Map Elevation
3/16" = 1'-0"



5 7.3 Map Elevation
3/16" = 1'-0"



6 Quote Elevation
3/16" = 1'-0"



7 Video Elevation
3/16" = 1'-0"



Written dimensions supercede scaled measurements. Contractors and fabricators shall verify & be responsible for verifying all dimensions and conditions on site and inform Content Design Collaborative of any discrepancy in drawings prior to performing the work.

This document represents design intent only. Contractors and fabricators shall comply with all local electrical, structural & safety codes. Content Design Collaborative LLC will NOT assume responsibility or liability for inappropriate engineering, construction, handling or installation of any component represented herein.

DATES ISSUED

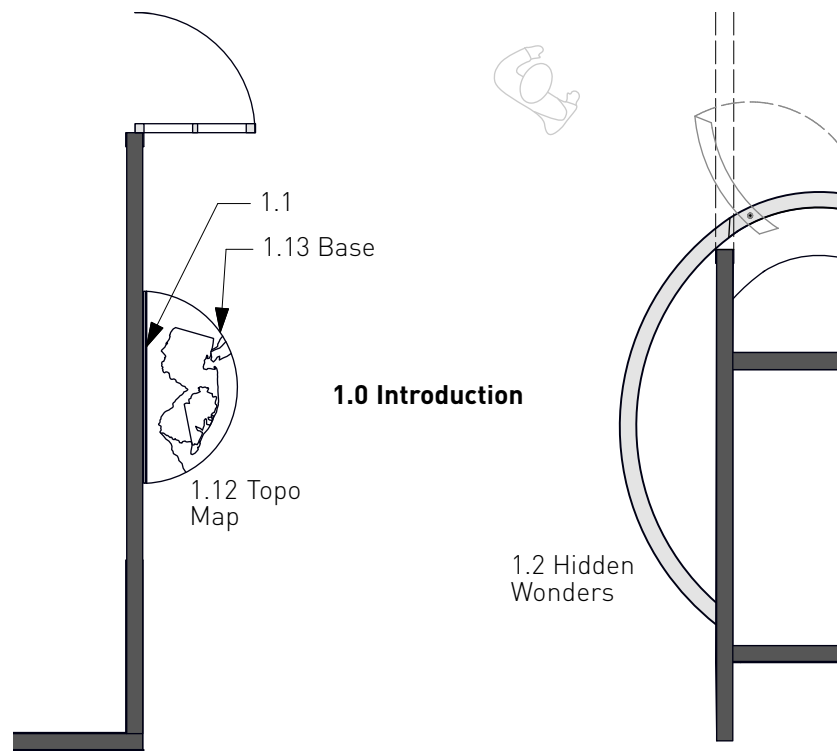
- 8.30.11 Review
- 2.15.12 Task 3
- 5.31.12 Task 4
- 6.18.12 Update

Drawn by:
SS

Title
Wall Elevation

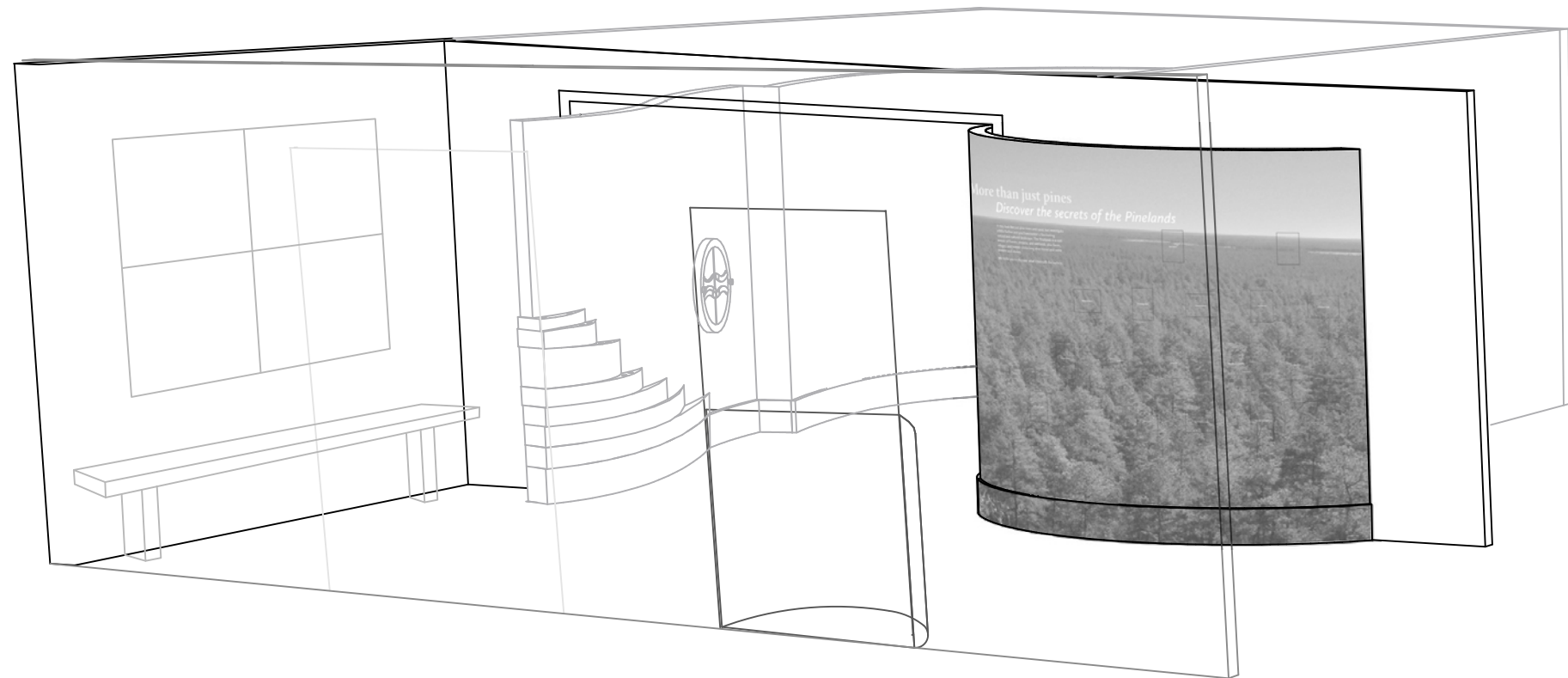
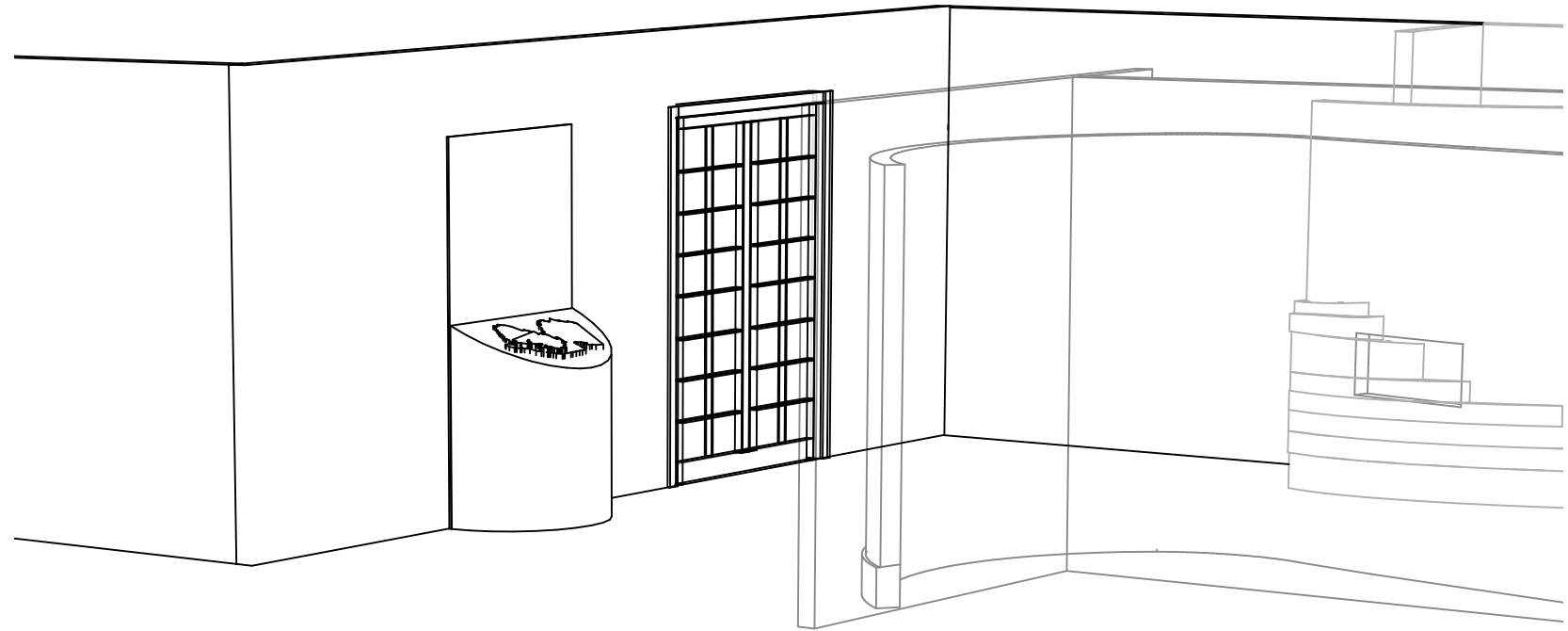
Area 1 Introduction

There are two components in this area: 1.1 Introduction, a combination of graphic panel and tactile topo map, and 1.2 Hidden Wonders, a curved graphic mural wall with 16 horizontally opening flaps built into the wall. The flaps must be durable, quiet, and must return from open to close position automatically. We recommend a cord and weight type system. The topo map will be provided by a company Solid Terrain Modeling in California or equivalent.



1.0 Introduction

1 Area 1.0 Plan
1/4" = 1'-0"



Written dimensions supercede scaled measurements. Contractors and fabricators shall verify & be responsible for verifying all dimensions and conditions on site and inform Content Design Collaborative of any discrepancy in drawings prior to performing the work.

This document represents design intent only. Contractors and fabricators shall comply with all local electrical, structural & safety codes. Content Design Collaborative LLC will NOT assume responsibility or liability for inappropriate engineering, construction, handling or installation of any component represented herein.

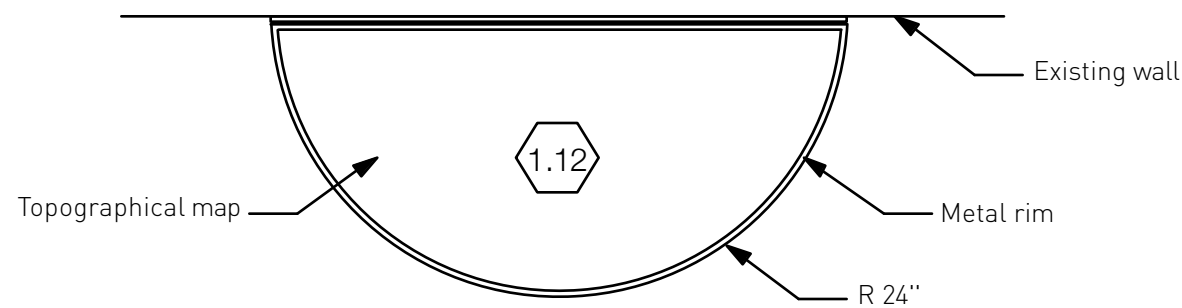
DATES ISSUED

2.15.12 Task 3
5.31.12 Task 4

Drawn by:
SS

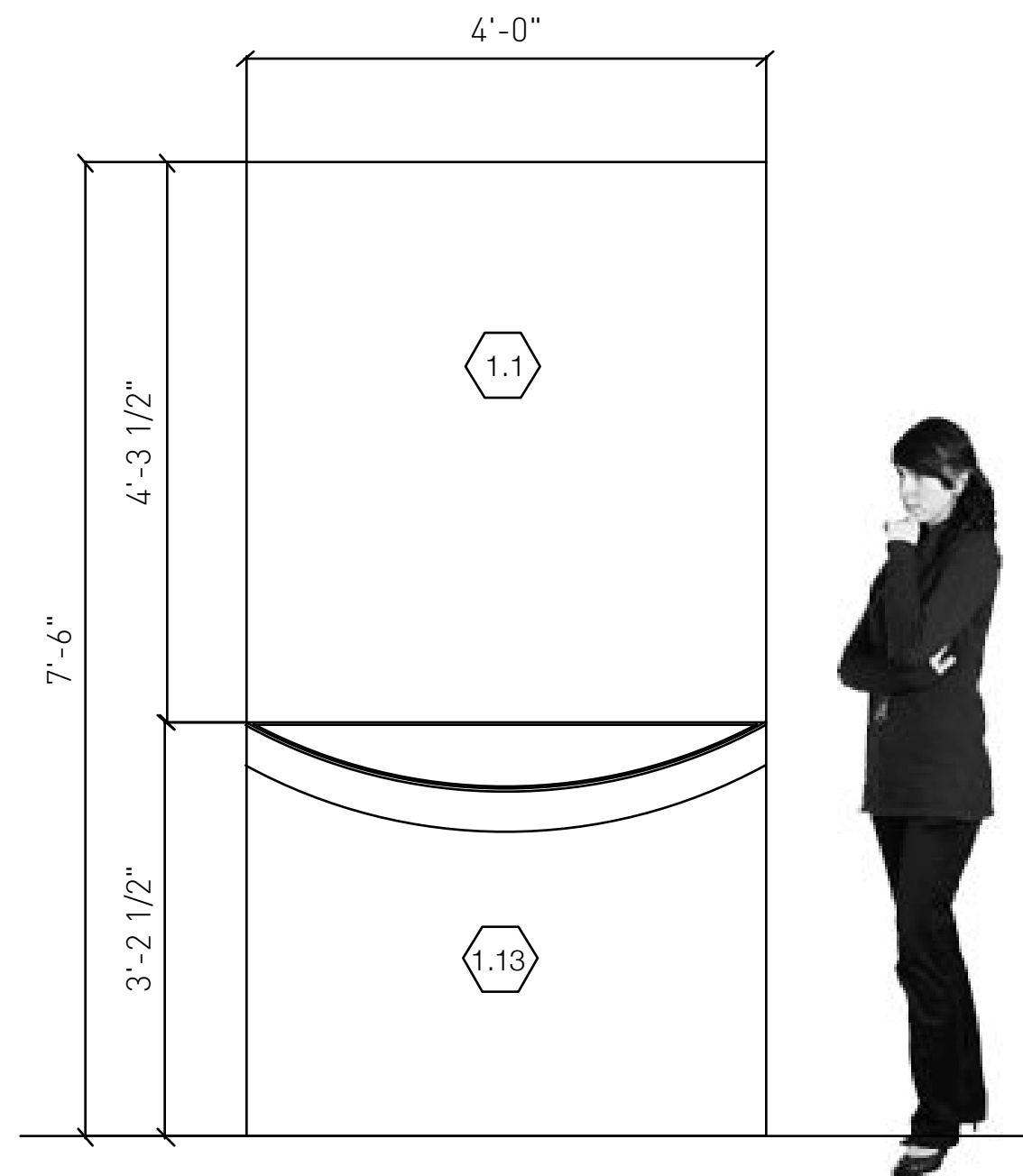
Title
1.0 Introduction Area

1.0

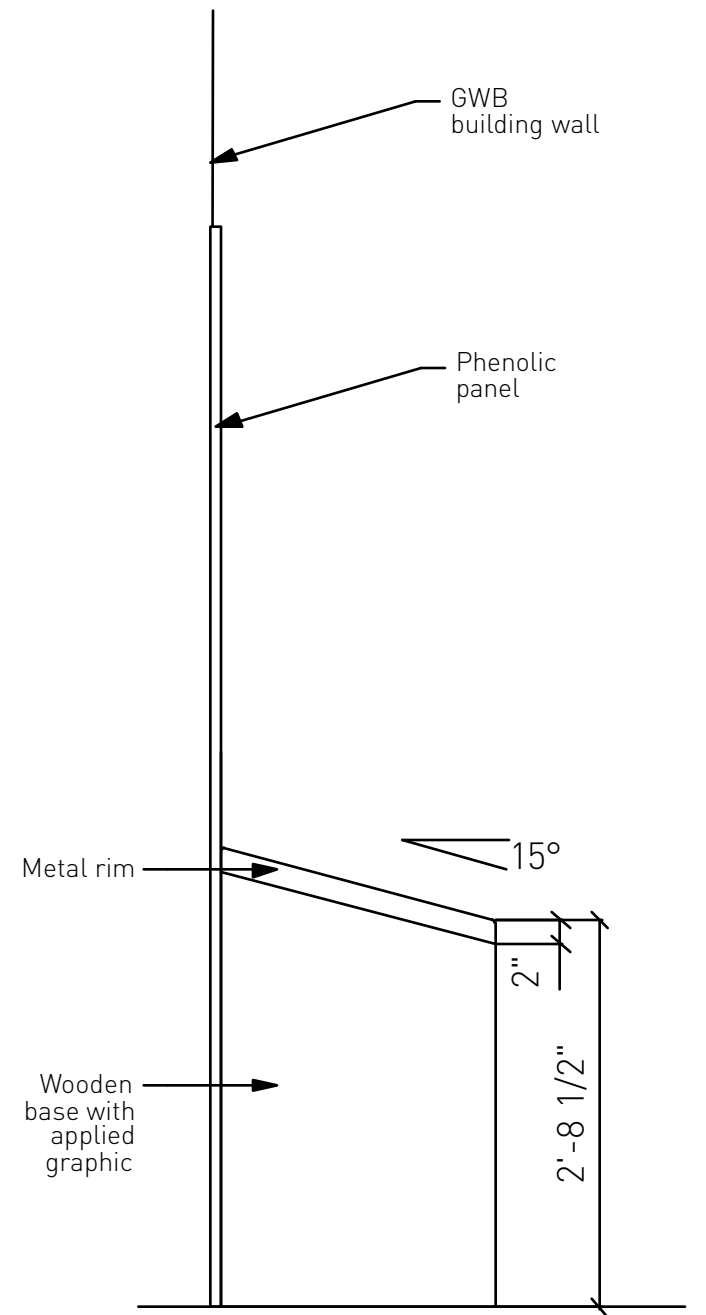


1 Plan
3/4" = 1'-0"

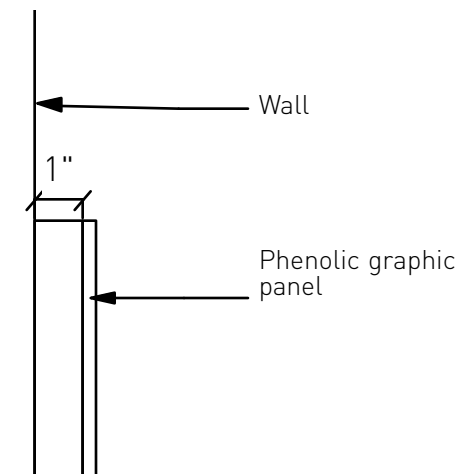
Note:
Exhibit contractor responsible to level exhibit and to ensure there is no gap between topo map base and wall graphic



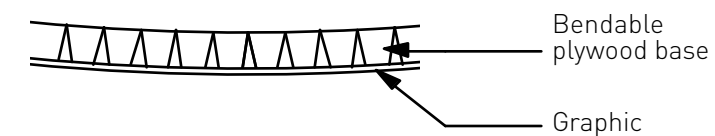
2 Front Elevation
3/4" = 1'-0"



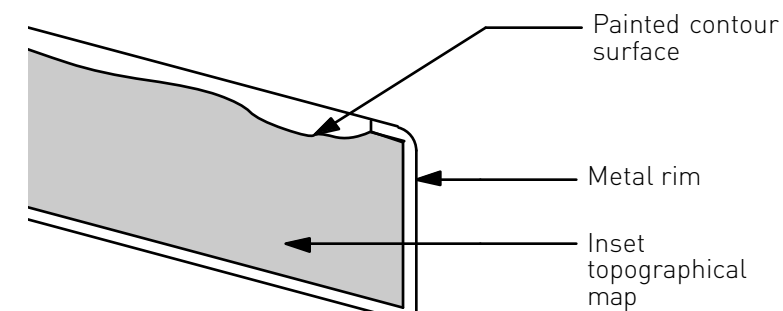
3 Side Elevation
3/4" = 1'-0"



4 Graphic Panel Detail
3" = 1'-0"



5 Base Detail
6" = 1'-0"



6 Metal Rim Detail
6" = 1'-0"

Topo Map Specification
Medium density foam laser cut topo map with printed surface with satin clear coat, from Solid Terrain Modeling 800-548-7621 or equivalent

Topo map is screwed in from below so it can be replaced



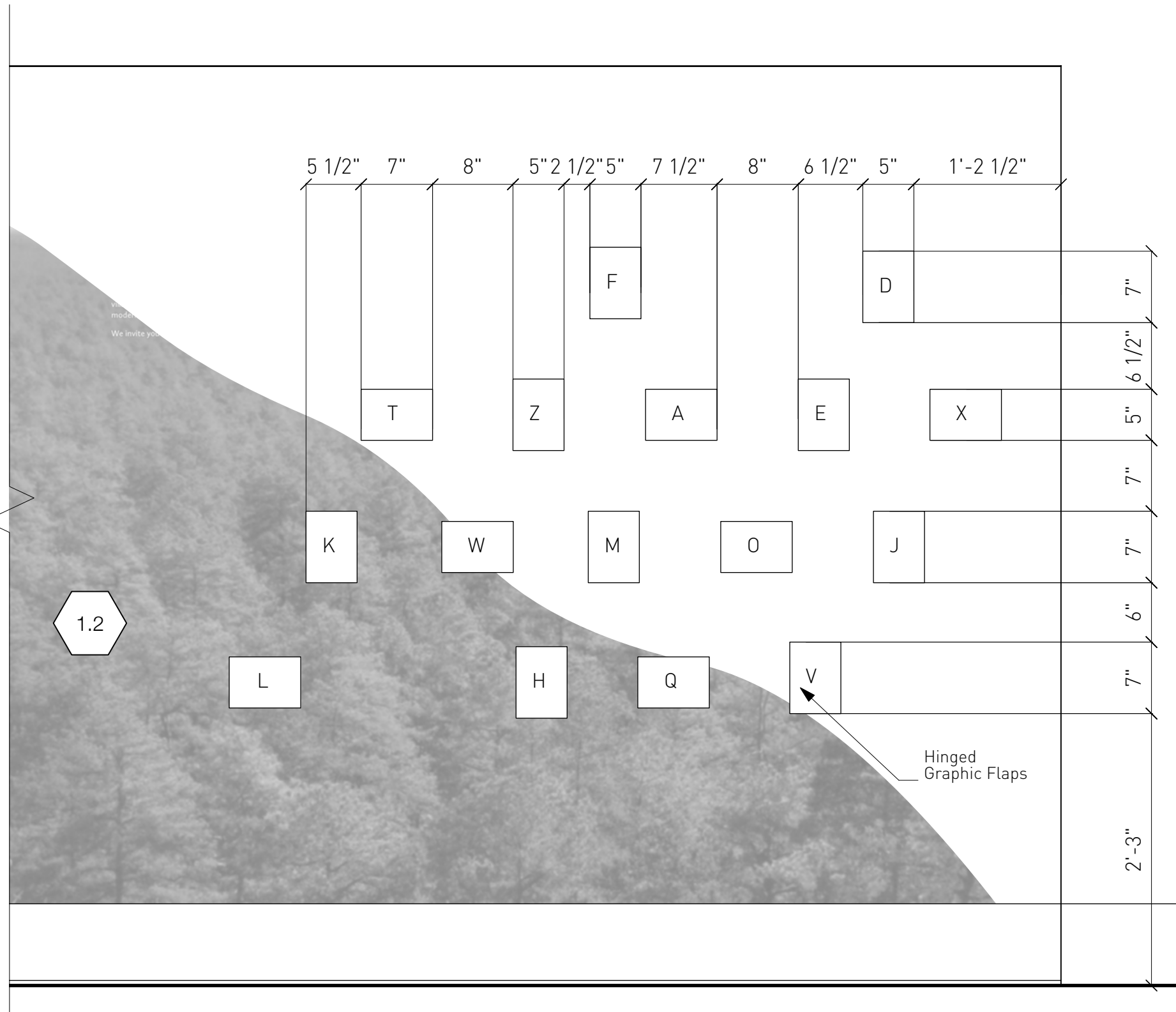
Written dimensions supercede scaled measurements. Contractors and fabricators shall verify & be responsible for verifying all dimensions and conditions on site and inform Content Design Collaborative of any discrepancy in drawings prior to performing the work.

This document represents design intent only. Contractors and fabricators shall comply with all local electrical, structural & safety codes. Content Design Collaborative LLC will NOT assume responsibility or liability for inappropriate engineering, construction, handling or installation of any component represented herein.

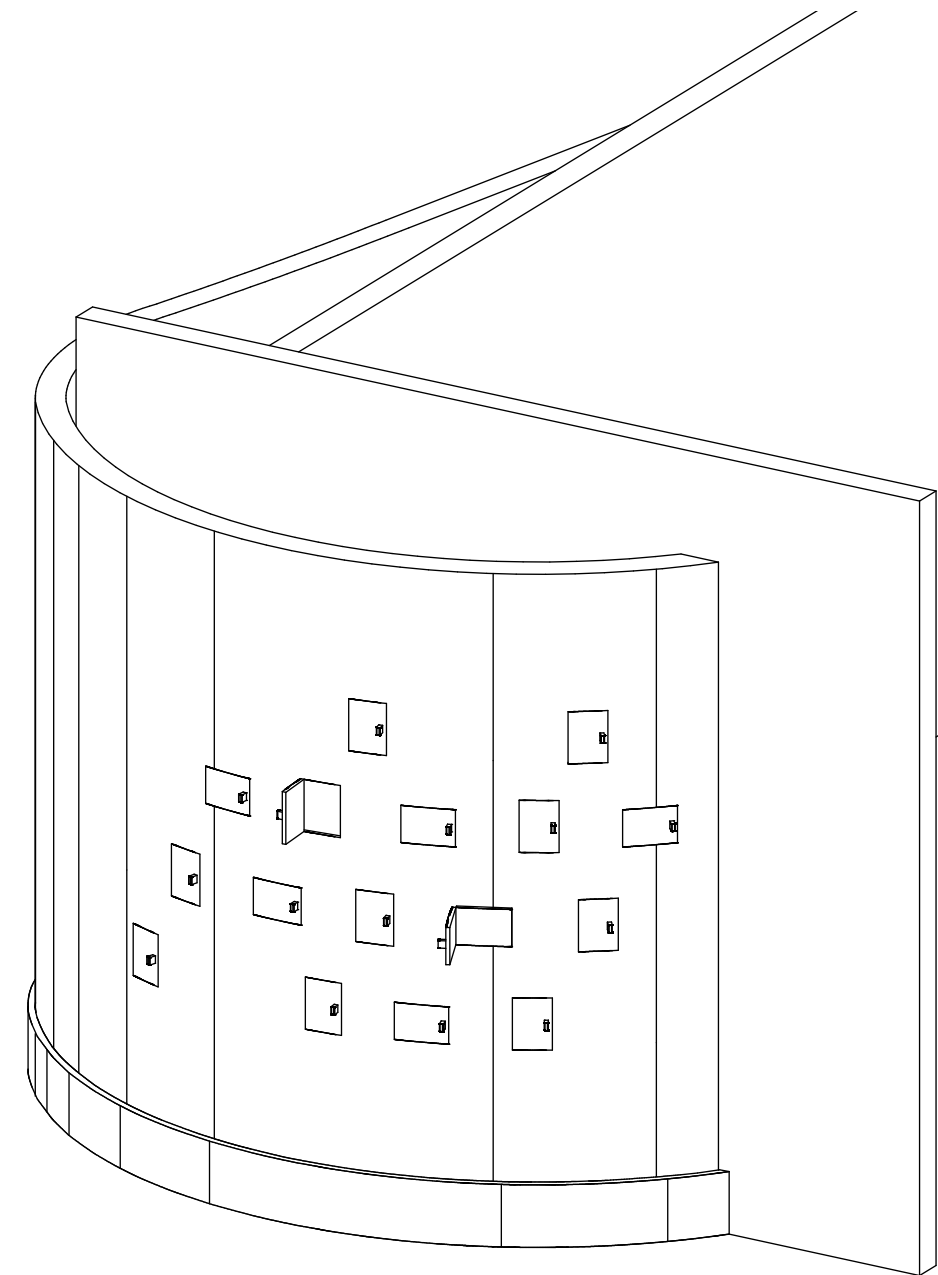
DATES ISSUED
8.30.11 Review
2.15.12 Task 3
5.31.12 Task 4

Drawn by:
SS

Title
1.1 Touchable Map



1 1.2 Flattened Elevation
1" = 1'-0"



2 1.2 Axon View
1/2" = 1'-0"



Written dimensions supercede scaled measurements. Contractors and fabricators shall verify & be responsible for verifying all dimensions and conditions on site and inform Content Design Collaborative of any discrepancy in drawings prior to performing the work.

This document represents design intent only. Contractors and fabricators shall comply with all local electrical, structural & safety codes. Content Design Collaborative LLC will NOT assume responsibility or liability for inappropriate engineering, construction, handling or installation of any component represented herein.

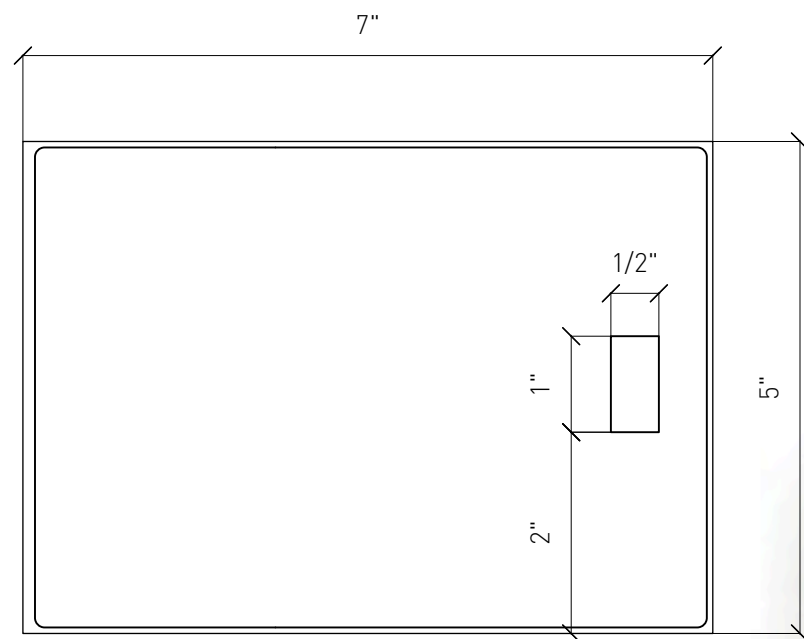
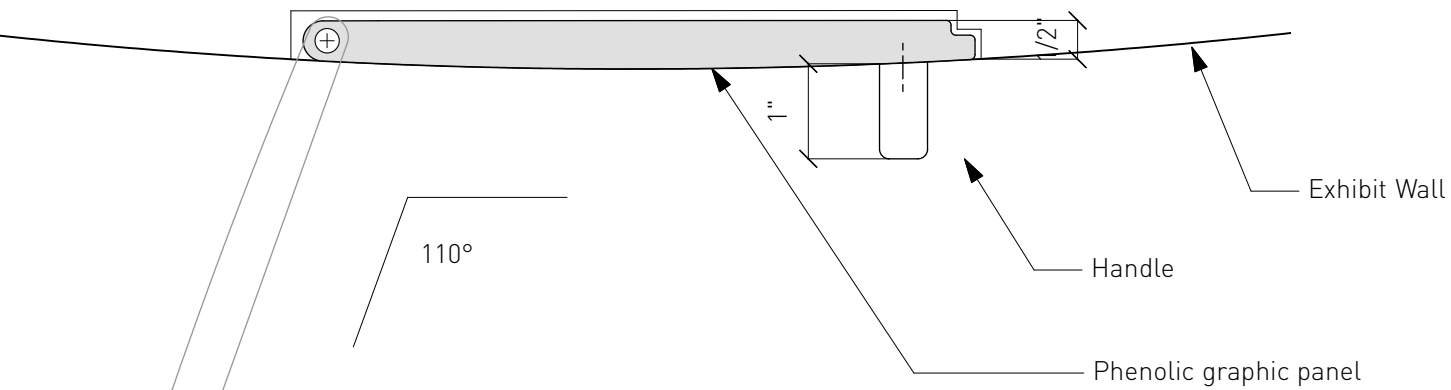
DATES ISSUED

- 8.30.11 Review
- 2.15.12 Task 3
- 5.31.12 Task 4

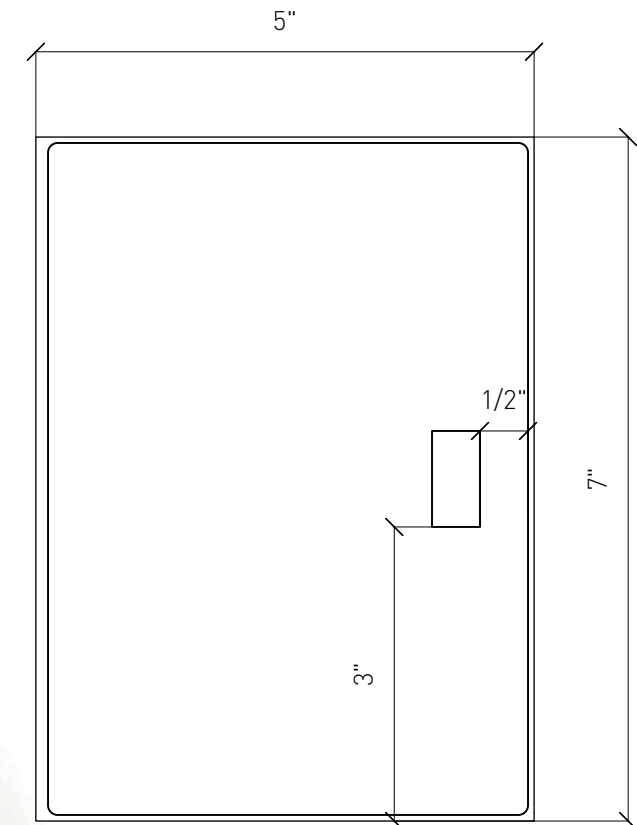
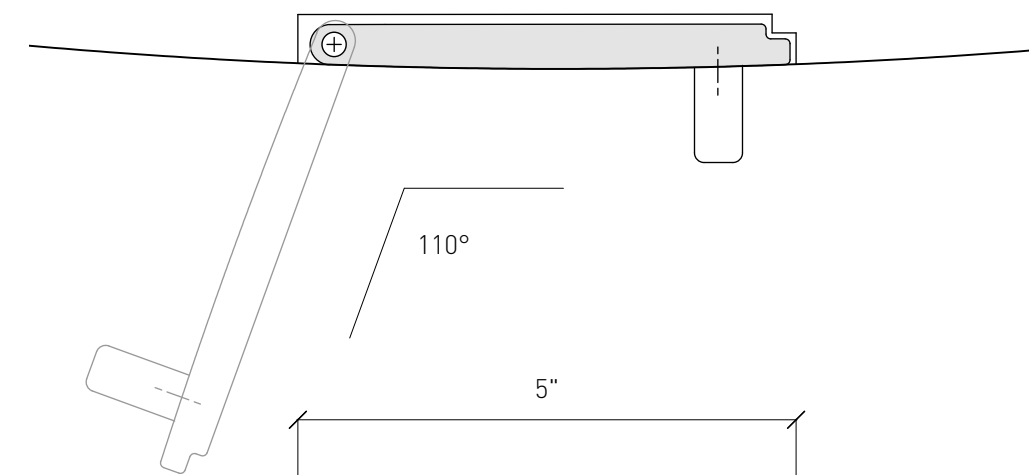
Drawn by:
SS

Title
1.2 Hidden Wonders Wall

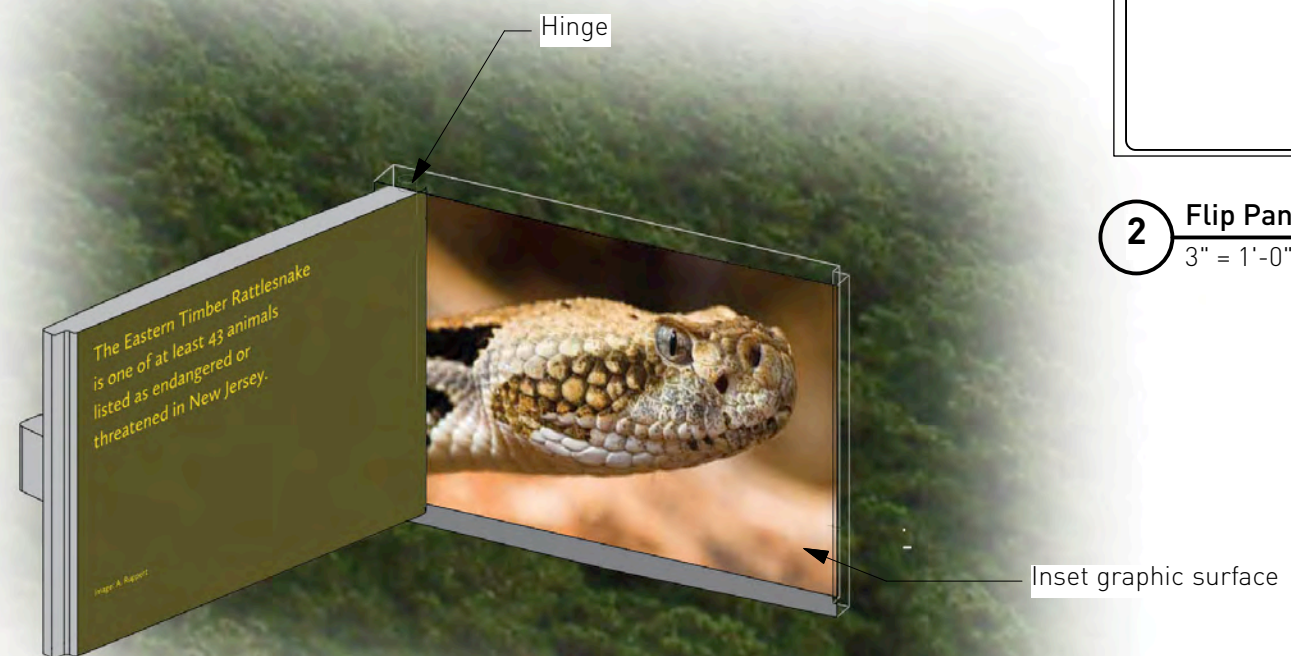
1.2



1 Flip Panel Horizontal
3" = 1'-0"



2 Flip Panel Vertical
3" = 1'-0"



3 Flip Panel Axon
3" = 1'-0"



Written dimensions supercede scaled measurements. Contractors and fabricators shall verify & be responsible for verifying all dimensions and conditions on site and inform Content Design Collaborative of any discrepancy in drawings prior to performing the work.

This document represents design intent only. Contractors and fabricators shall comply with all local electrical, structural & safety codes. Content Design Collaborative LLC will NOT assume responsibility or liability for inappropriate engineering, construction, handling or installation of any component represented herein.

DATES ISSUED

2.15.12 Task 3
5.31.12 Task 4

Drawn by:
SS

Title
1.2 Hidden Wonders Flip Up Panels

1.3

Area 2 Geology

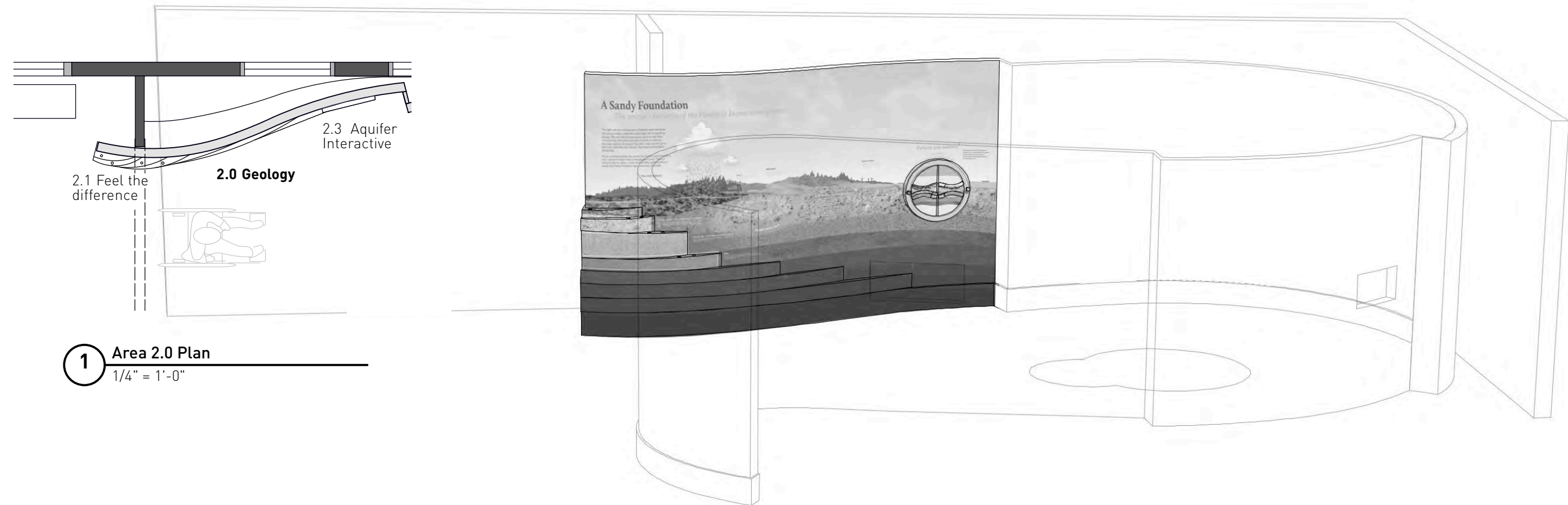
This area is made of four components: the exhibit wall, sand and gravel cases, scenic (painted) wall sections, and aquifer interactive. The sand and gravel cases are filled with actual sand and gravel from the Pinelands that has been disinfected. The aquifer interactive contains acrylic sand, polished stone and other material to simulate the action of water being absorbed by the aquifer. During the prototype phase, the use of actual materials can be investigated. It is not intended to visually duplicate the strata, but to evoke the idea. The liquid being used to simulate water will have bromide or other disinfectant added for stability.

Submittals

The Exhibit Contractor must create a prototype that can be used by the NJ Pinelands Commission for testing with school groups. It can be a table top version but must be similar in scale and will be used to test the interactive process.

The intention of the rubber ring at the touch hole is to remove any sand that adhered to the visitors finger tip. The entire structure is removable for filling with new sand or gravel as needed.

In addition to the submittals above, see the graphics schedule for graphics submittals and shop drawings that will be submitted.



1 Area 2.0 Plan
1/4" = 1'-0"

Content•Design
COLLABORATIVE LLC
433 Country Way Scituate, MA 02066
781-378-1484 p 781-849-7910 f
contentdesign@me.com

New Jersey Pinelands Commission
15 Springfield Road
New Lisbon, NJ 08064
609-894-7300



Written dimensions supercede scaled measurements. Contractors and fabricators shall verify & be responsible for verifying all dimensions and conditions on site and inform Content Design Collaborative of any discrepancy in drawings prior to performing the work.

This document represents design intent only. Contractors and fabricators shall comply with all local electrical, structural & safety codes. Content Design Collaborative LLC will NOT assume responsibility or liability for inappropriate engineering, construction, handling or installation of any component represented herein.

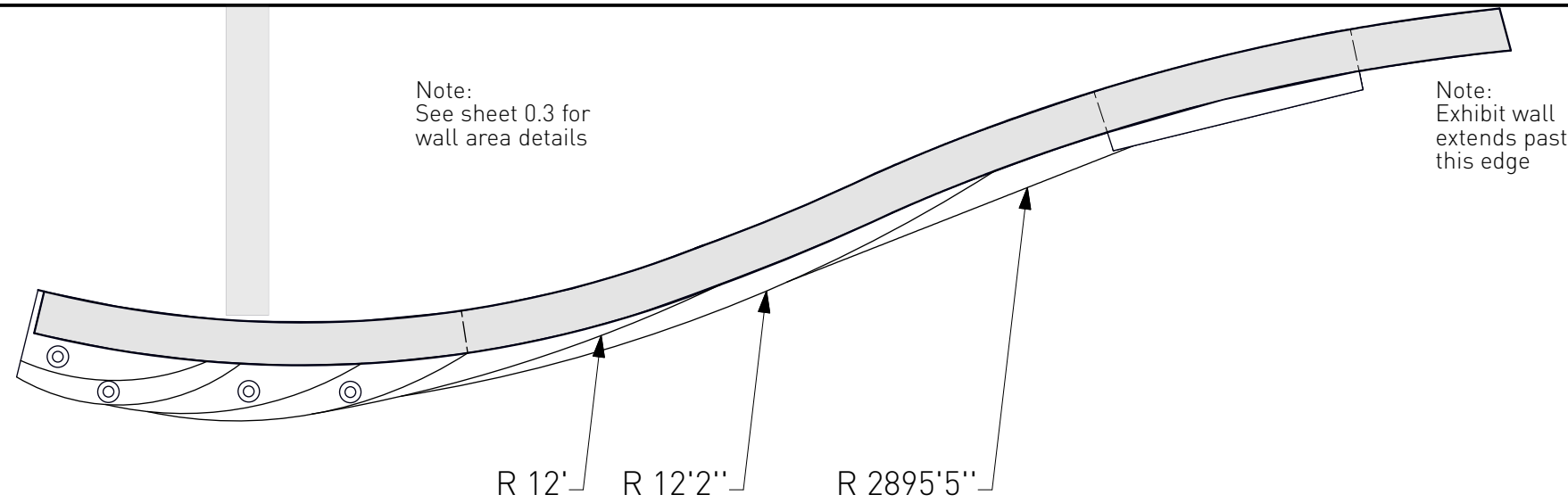
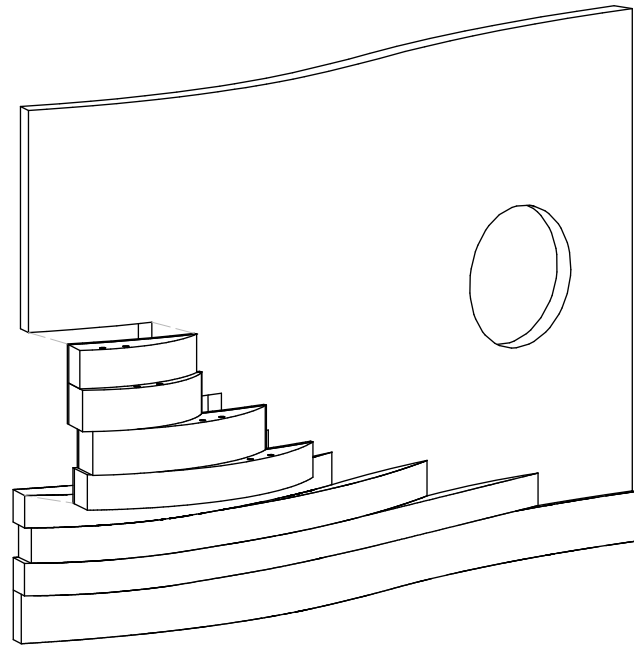
DATES ISSUED

2.15.12 Task 3
5.31.12 Task 4

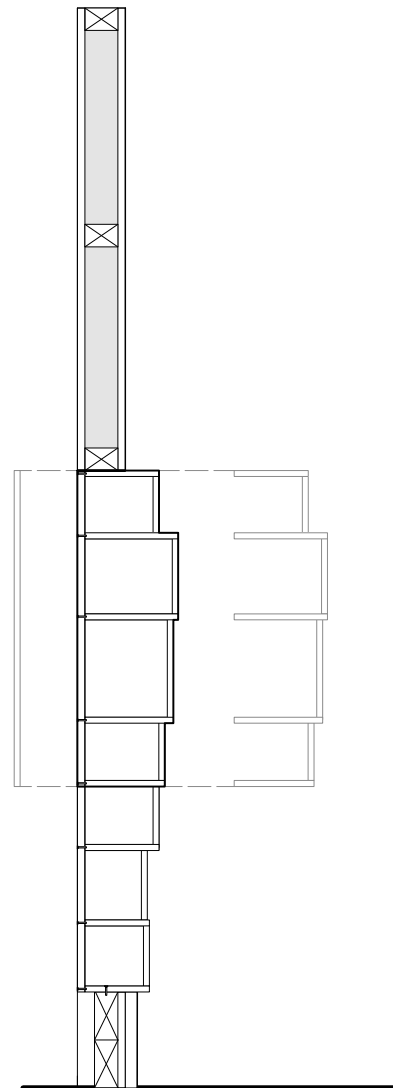
Drawn by:
SS

Title
Area 2.0 Geology

2.0

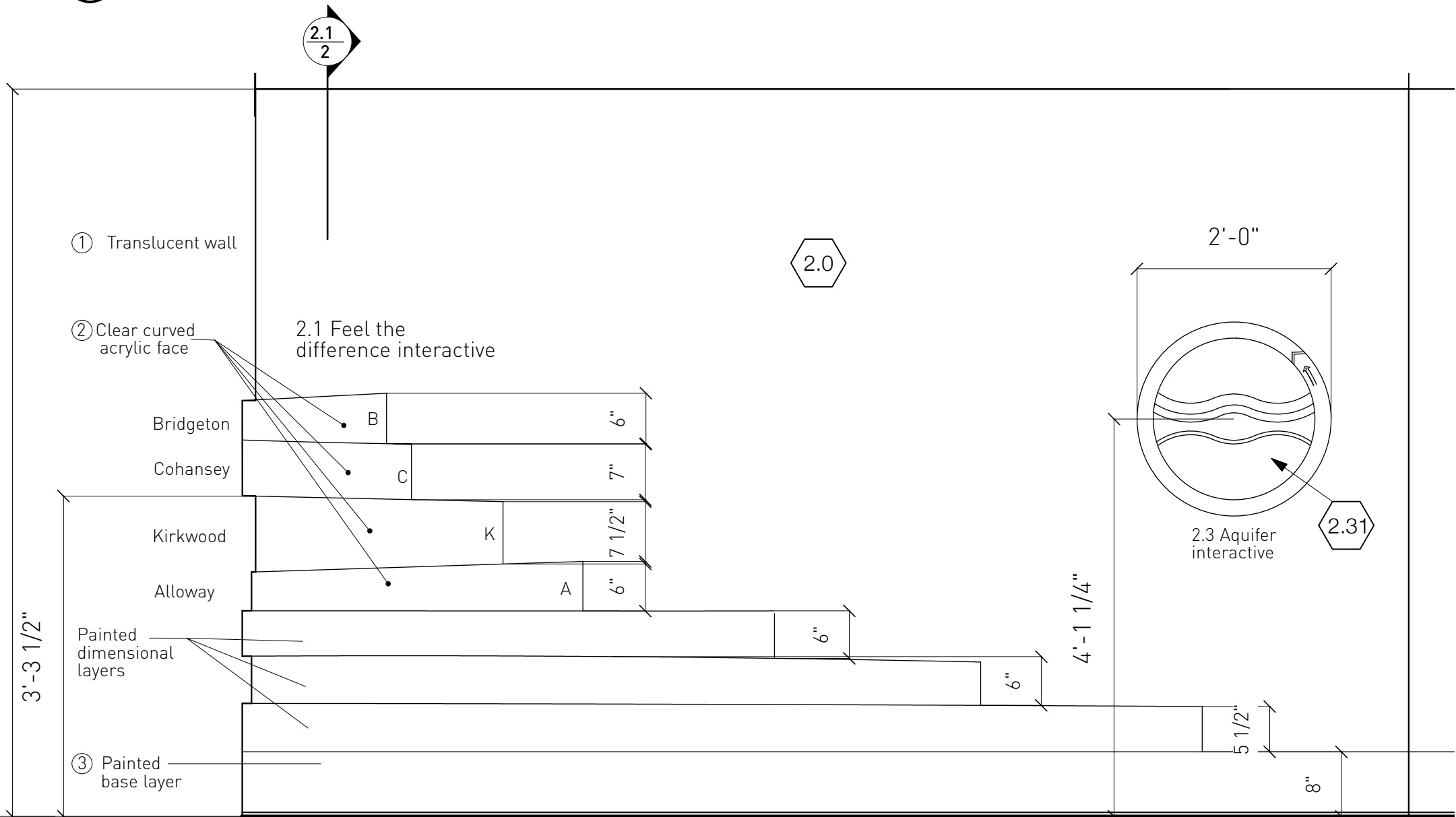


1 Plan
3/4" = 1'-0"



Specifications
Top 3 dimensional layers scenically painted to match graphic sample provided by designer

Base color:
Matthews acrylic poly. MP11705
Chocolate Thunder



3 2.0 Flattened Elevation
3/4" = 1'-0"

2 2.0 Section
3/4" = 1'-0"



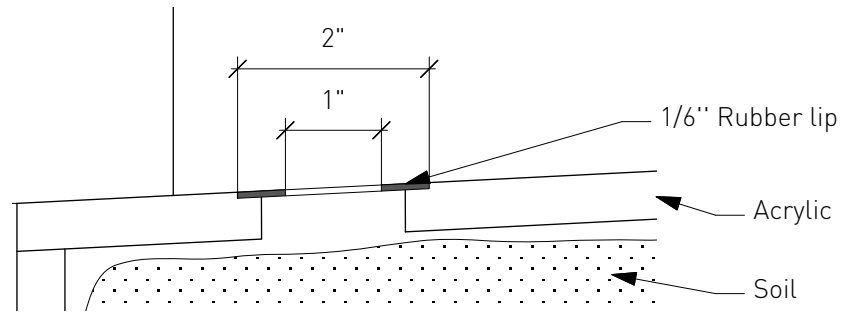
Written dimensions supercede scaled measurements. Contractors and fabricators shall verify & be responsible for verifying all dimensions and conditions on site and inform Content Design Collaborative of any discrepancy in drawings prior to performing the work.

This document represents design intent only. Contractors and fabricators shall comply with all local electrical, structural & safety codes. Content Design Collaborative LLC will NOT assume responsibility or liability for inappropriate engineering, construction, handling or installation of any component represented herein.

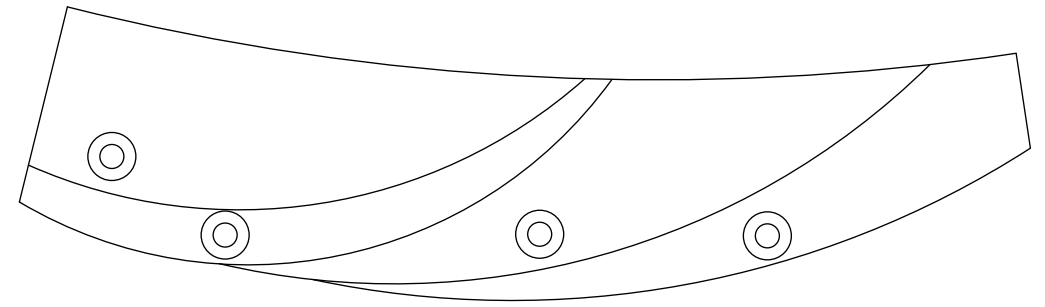
DATES ISSUED	
8.30.11	Review
2.15.12	Task 3
5.31.12	Task 4

Drawn by:
SS

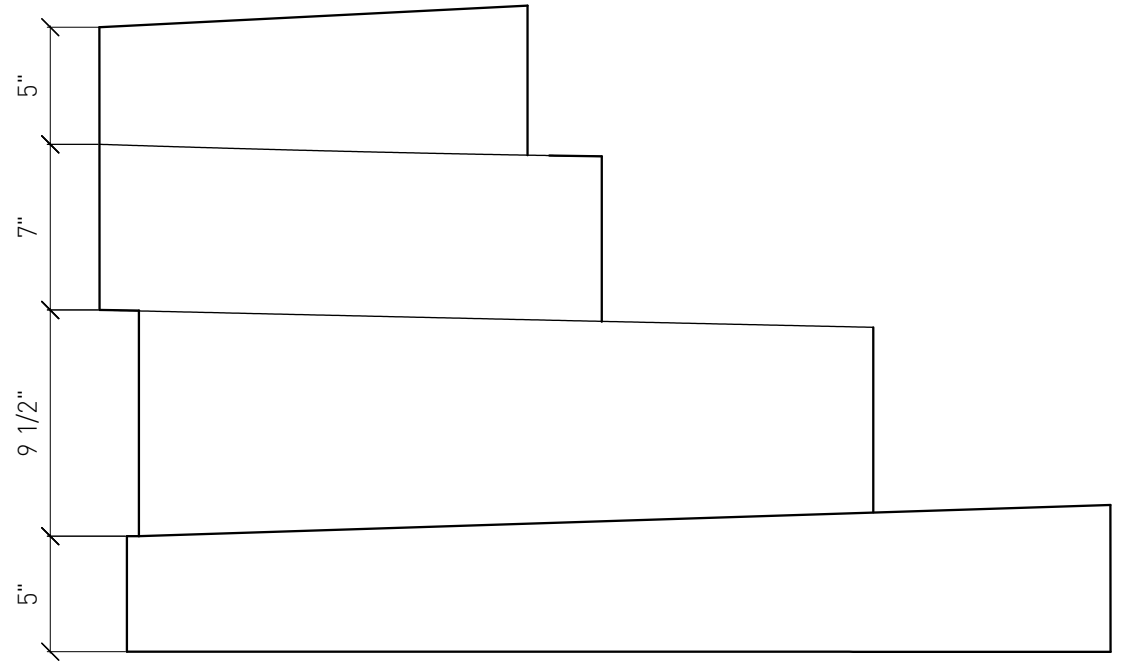
Title
Geology



1 Hole Detail
6" = 1'-0"

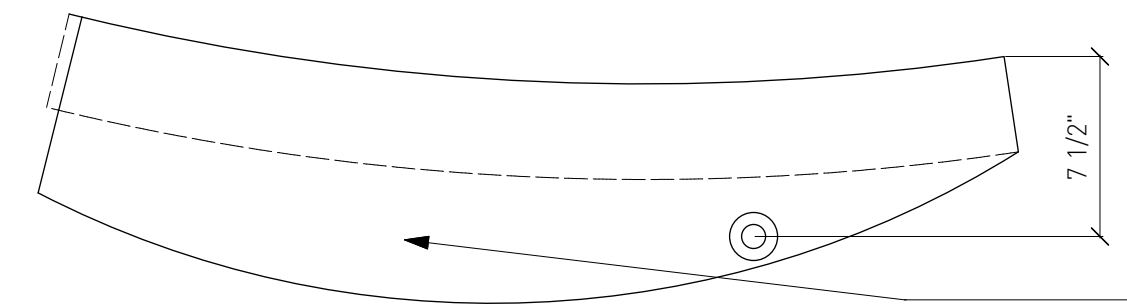
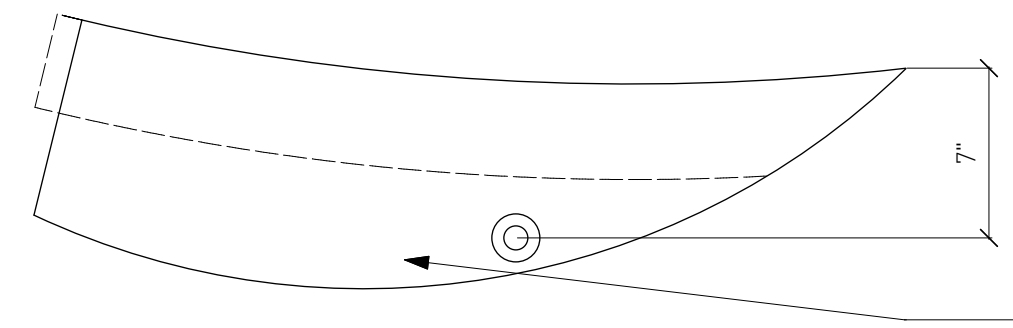
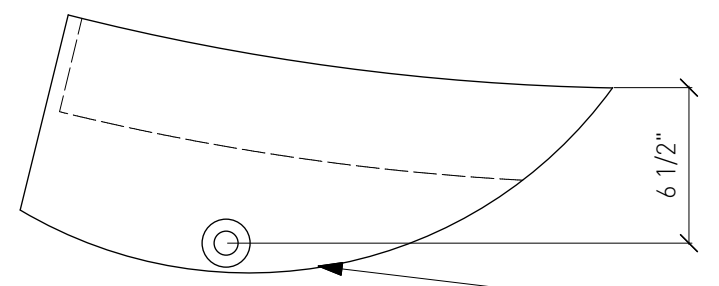
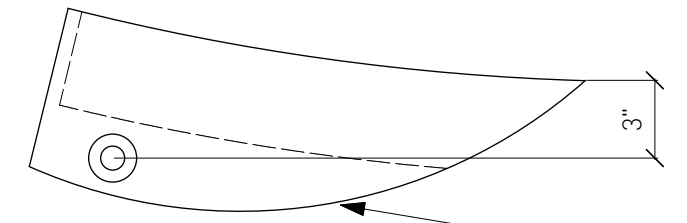
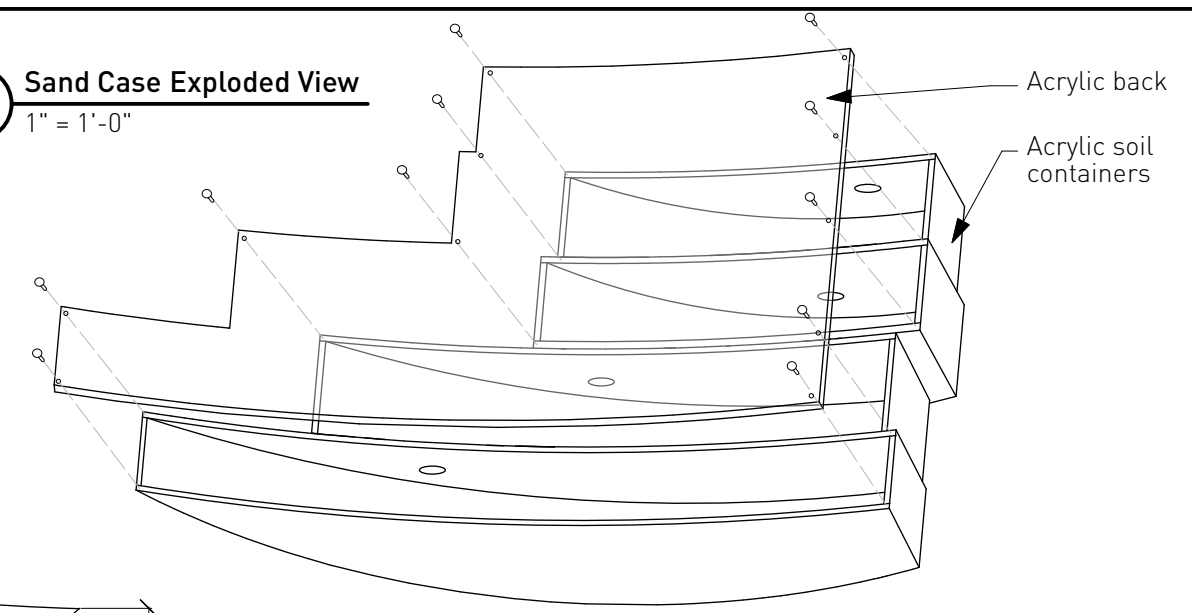


2 Sand Case Plan
1-1/2" = 1'-0"



3 Sand Case Front Elevation
1-1/2" = 1'-0"

5 Sand Case Exploded View
1" = 1'-0"



4 Cases Plan
1-1/2" = 1'-0"



Gravel



Coarse Sand



Fine Sand



Clay



Written dimensions supercede scaled measurements. Contractors and fabricators shall verify & be responsible for verifying all dimensions and conditions on site and inform Content Design Collaborative of any discrepancy in drawings prior to performing the work.

This document represents design intent only. Contractors and fabricators shall comply with all local electrical, structural & safety codes. Content Design Collaborative LLC will NOT assume responsibility or liability for inappropriate engineering, construction, handling or installation of any component represented herein.

DATES ISSUED

8.30.11 Review

2.15.12 Task 3

Drawn by:
SS

Title
Feel the Difference Interactive

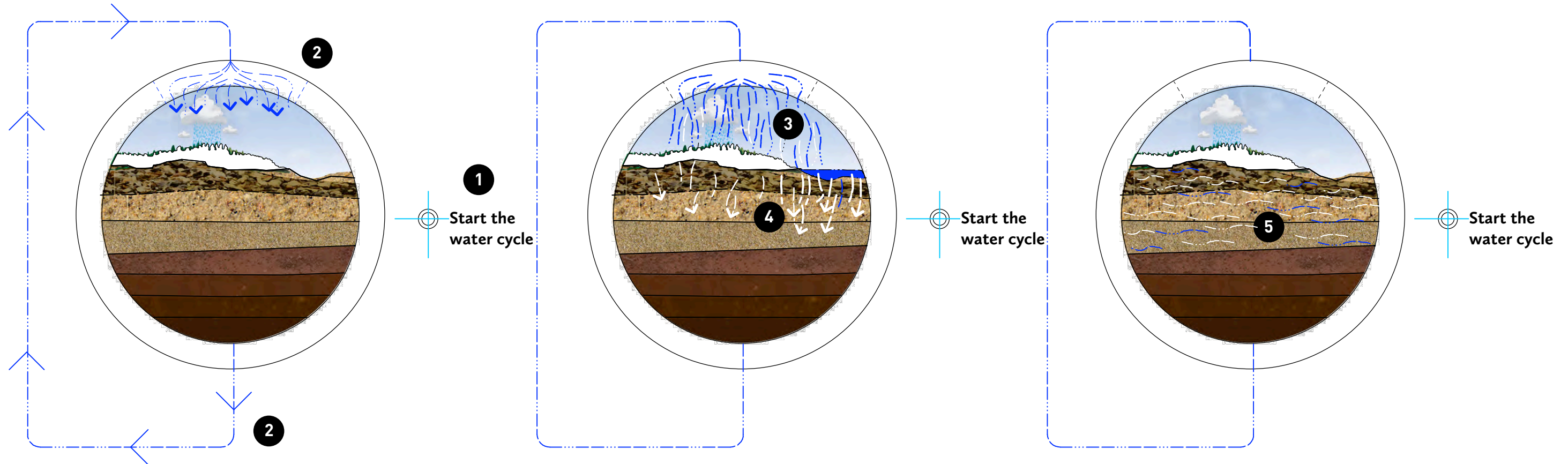
1 Graphics prompt the visitor to start interactive by pushing button at right to start rain sequence

2 Pump motor is actuated and forces water from lower reservoir to upper reservoir where it begins to 'rain' upon the Pinelands

3 Rainfall fills the Pinelands, between 1 quart and 2 quarts of blue-tinted, bromide treated water

4 Water is slowly absorbed by the aquifer

5 Once water is absorbed it is visible contained in the aquifer until button is pushed to restart the cycle.



Specifications

Sand and gravel is synthetic or polished and disinfected sand and gravel.

Synthetic or natural sand and gravel color should match actual sand and gravel used in adjacent tactile exhibit as close as possible.

Back wall has graphic that is the same as the mural wall graphic.

Pump must be located in a ventilated and sound proof enclosure and must use the building power supply.

Pump is a typical aquarium pump similar to a Iwaki WMD-30RLXT Pump

Aquifer interactive enclosure is metal with a 2 part Matthews acrylic polyurethane or equal.

Acrylic is an abrasion resistant type, Exhibit Contractor must provide recommended cleaning instructions to prevent accidental surface wear due to improper cleanser use.



Written dimensions supercede scaled measurements. Contractors and fabricators shall verify & be responsible for verifying all dimensions and conditions on site and inform Content Design Collaborative of any discrepancy in drawings prior to performing the work.

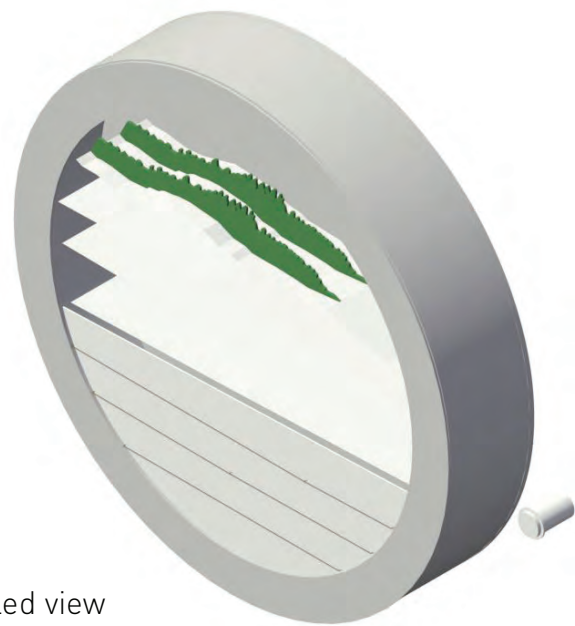
This document represents design intent only. Contractors and fabricators shall comply with all local electrical, structural & safety codes. Content Design Collaborative LLC will NOT assume responsibility or liability for inappropriate engineering, construction, handling or installation of any component represented herein.

2.15.12 Task 3

Drawn by:
EPM

Aquifer
Interactive
2.3

Assembled view



Acrylic scenic elements

Sand and gravel chambers

Water return holes

Upper reservoir

Lower opaque clay ayers

Acrylic face

Button

Aquifer interactive body

Building wall

10 1/2"

Circulation pump

Flex line connection to pup

5"

Exhibit wall

Interactive structure

2 Interactive detail plan
1-1/2" = 1'-0"

Upper reservoir

2'-0"

3 1/4"

Scenic Pinelands cut-out

2' 1/4"

Sand and gravel layers

Opaque layers

Control button

1 Interactive detail plan and front
1-1/2" = 1'-0"

2 Section
1-1/2" = 1'-0"

Upper reservoir

Feed line

Lower reservoir

Exhibit wall

Return line



Written dimensions supercede scaled measurements. Contractors and fabricators shall verify & be responsible for verifying all dimensions and conditions on site and inform Content Design Collaborative of any discrepancy in drawings prior to performing the work.

This document represents design intent only. Contractors and fabricators shall comply with all local electrical, structural & safety codes. Content Design Collaborative LLC will NOT assume responsibility or liability for inappropriate engineering, construction, handling or installation of any component represented herein.

2.15.12 Task 3

Drawn by:
EPM

Water Interactive

2.4

New Jersey Pinelands Commission

15 Springfield Road
New Lisbon, NJ 08064
609-894-7300

Content • Design
COLLABORATIVE LLC

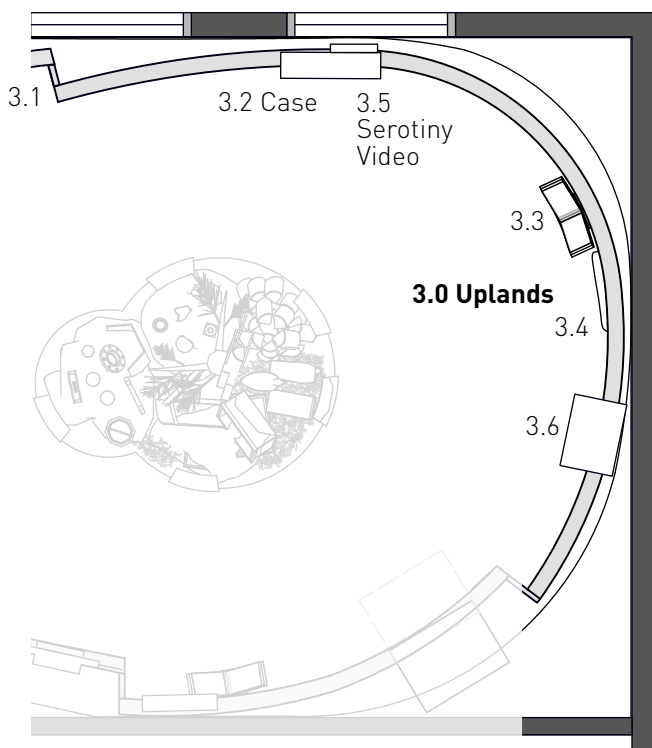
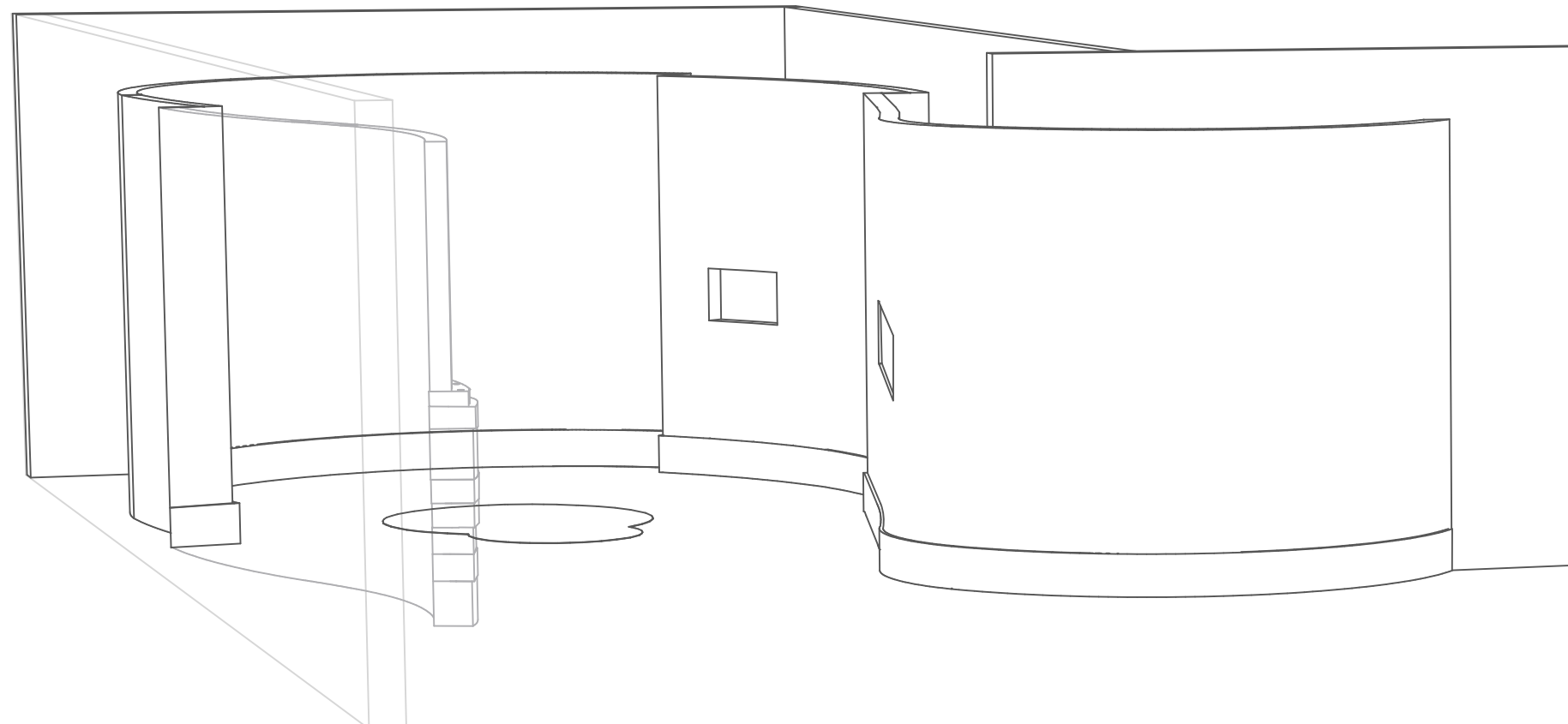
433 Country Way Scituate, MA 02066
781-378-1484 p 781-849-7910 f
contentdesign@me.com

Area 3 Uplands

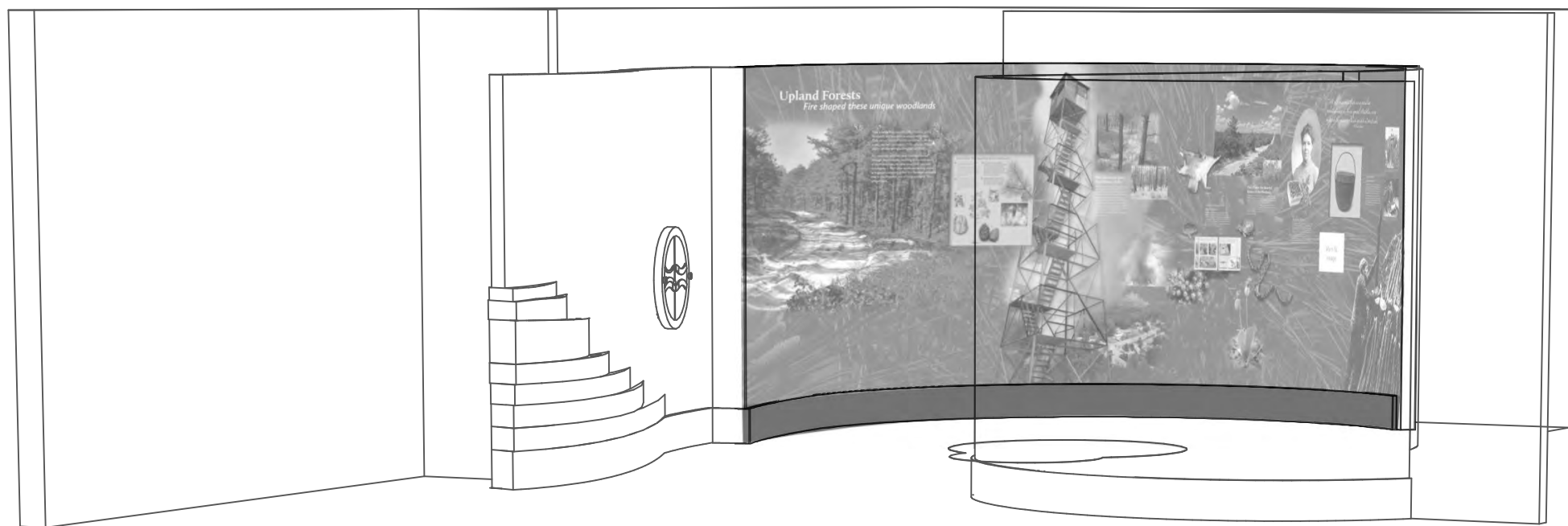
This area consists of an exhibit wall, two artifact cases that are partially protruding from the wall, with one of the cases containing a small embedded video, a flip book structure mounted directly to the wall, and finally a snake artifact also mounted directly to the wall. The audio is located in the suspended ceiling above. The mural exhibit wall has a large base that is a continuation of the base on Area 2, and has a baffle area that provides an environmental infill between the top of the exhibit wall and the room ceiling.

Submittals
There are no special submittals for this area. See the graphics specifications for information on the media component and shop drawings.

Coordination
The exhibit contractor is responsible for the continuous loop video and ambient audio as well as confirming the correct alignment of graphics and casework.



1 Area 3.0 Plan
1/4" = 1'-0"



Content•Design
COLLABORATIVE LLC
433 Country Way Scituate, MA 02066
781-378-1484 p 781-849-7910 f
contentdesign@me.com

New Jersey Pinelands Commission
15 Springfield Road
New Lisbon, NJ 08064
609-894-7300



Written dimensions supercede scaled measurements. Contractors and fabricators shall verify & be responsible for verifying all dimensions and conditions on site and inform Content Design Collaborative of any discrepancy in drawings prior to performing the work.

This document represents design intent only. Contractors and fabricators shall comply with all local electrical, structural & safety codes. Content Design Collaborative LLC will NOT assume responsibility or liability for inappropriate engineering, construction, handling or installation of any component represented herein.

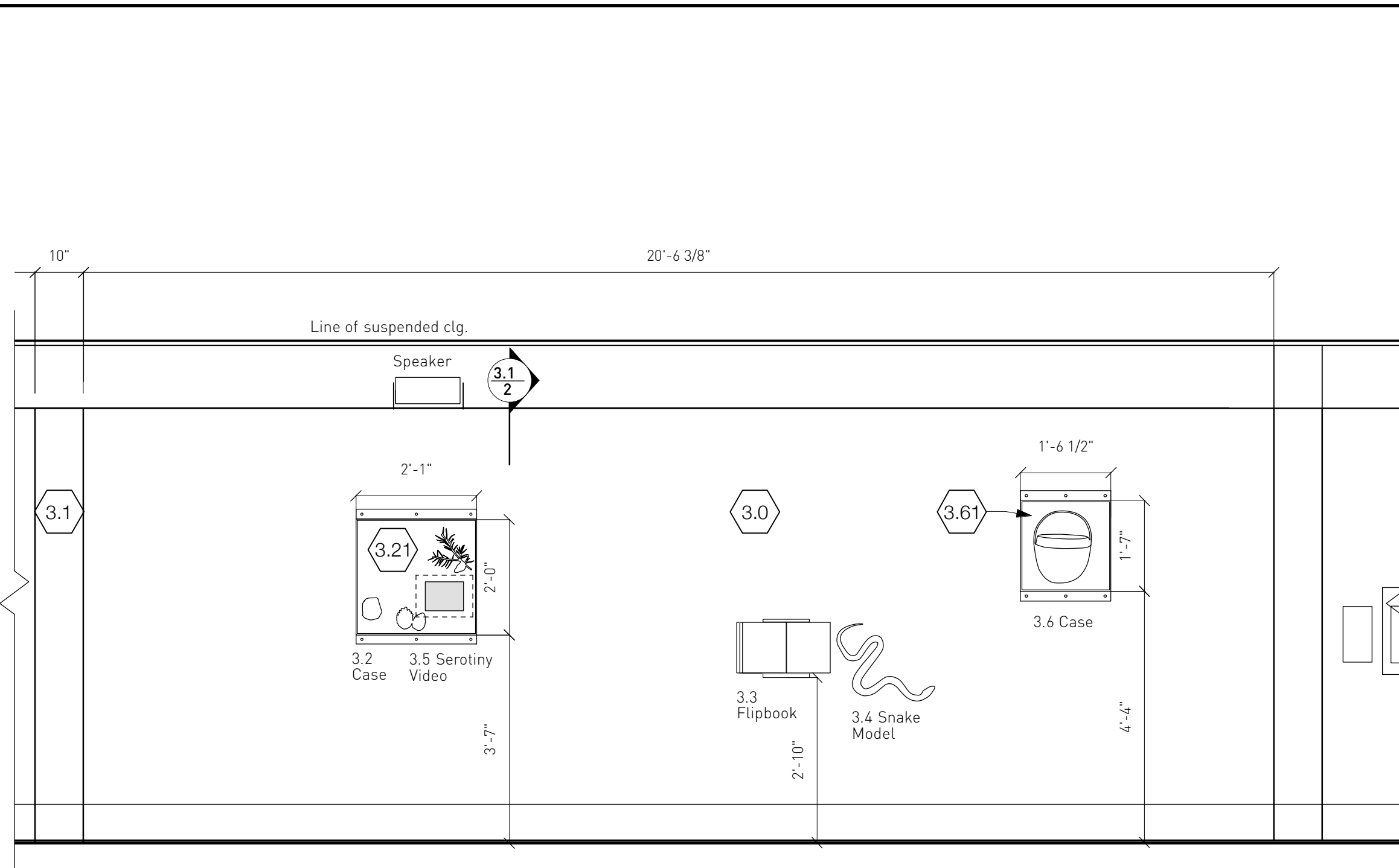
DATES ISSUED

- 2.15.12 Task 3
- 5.31.12 Task 4

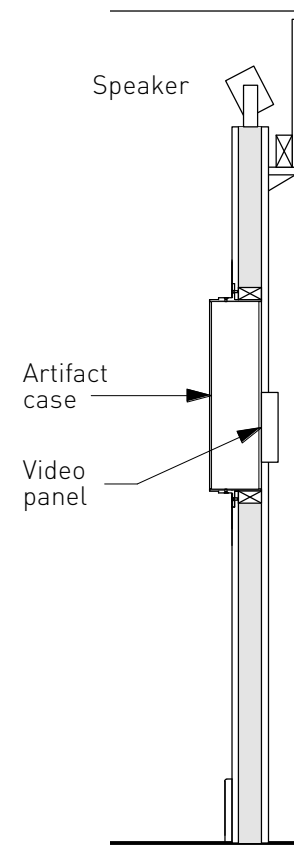
Drawn by:
SS

Title
Area 3.0 Uplands

3.0



Note
Test speaker location prior to final installation on site



1 3.0 Flattened Elevation
1/2" = 1'-0"

Note:
Final video cut-out to be determined by EC upon procurement of equipment

2 3.0 Section
1/2" = 1'-0"



Written dimensions supercede scaled measurements. Contractors and fabricators shall verify & be responsible for verifying all dimensions and conditions on site and inform Content Design Collaborative of any discrepancy in drawings prior to performing the work.

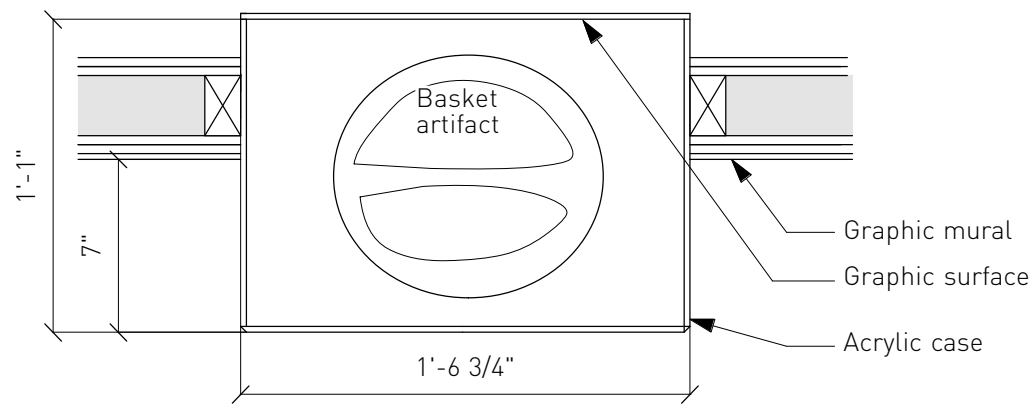
This document represents design intent only. Contractors and fabricators shall comply with all local electrical, structural & safety codes. Content Design Collaborative LLC will NOT assume responsibility or liability for inappropriate engineering, construction, handling or installation of any component represented herein.

DATES ISSUED	
8.30.11	Review
2.15.12	Task 3
5.31.12	Task 4
6.14.12	Speaker

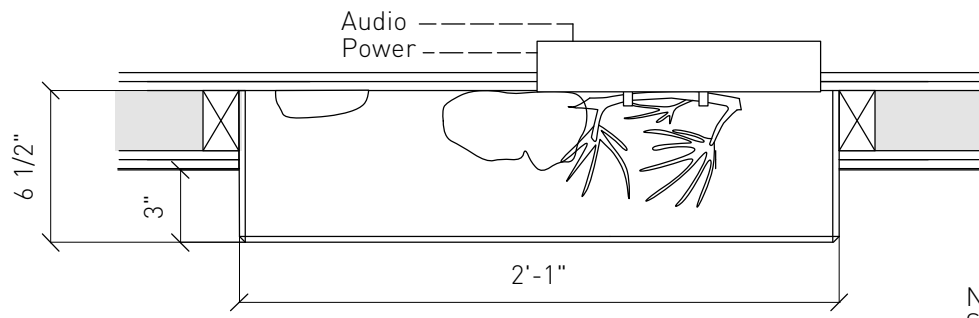
Drawn by:
SS
Title

Uplands Elevations

3.1

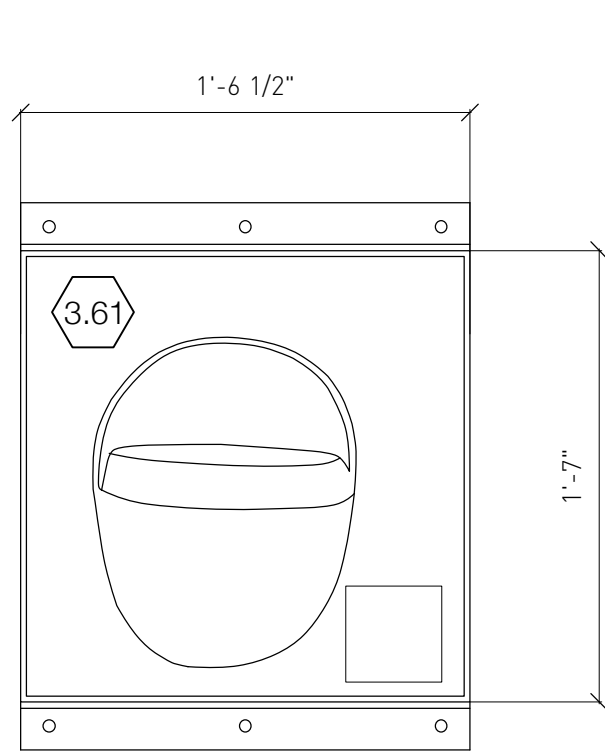


1 3.6 Case Plan
1-1/2" = 1'-0"

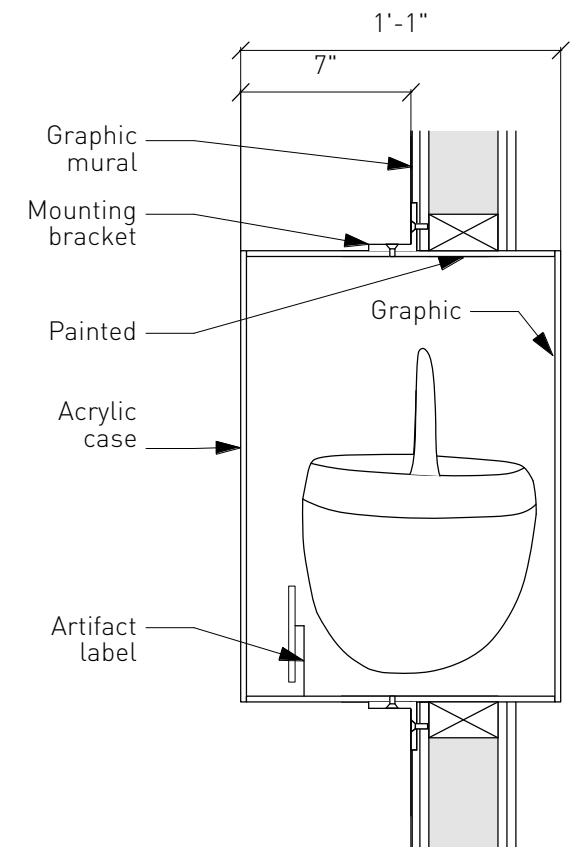


4 3.2 Case Plan
1-1/2" = 1'-0"

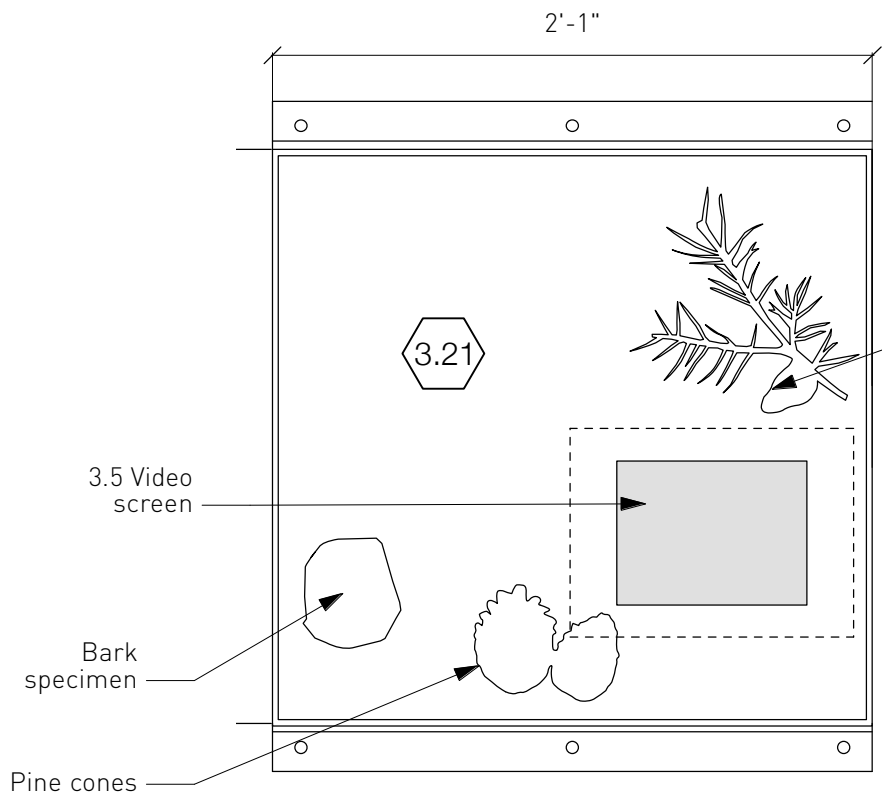
Note:
See sheet 8.0 for video details
and specifications



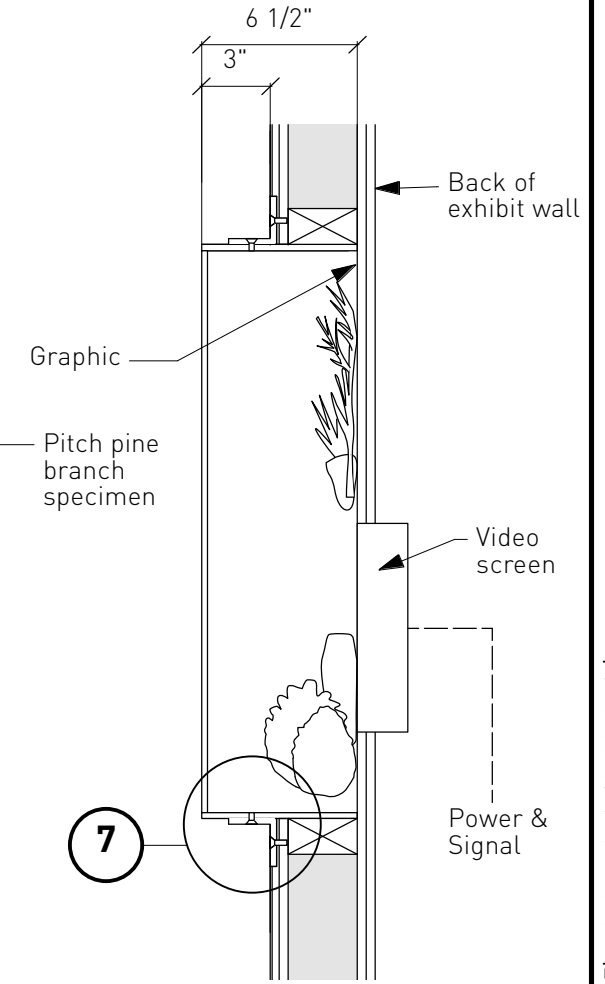
2 3.6 Case Front Elevation
1-1/2" = 1'-0"



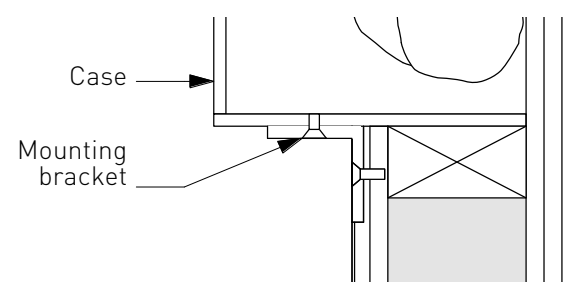
3 3.6 Case Side Elevation
1-1/2" = 1'-0"



5 3.2 Case Front Elevation
1-1/2" = 1'-0"



6 3.2 Case Side Elevation
1-1/2" = 1'-0"



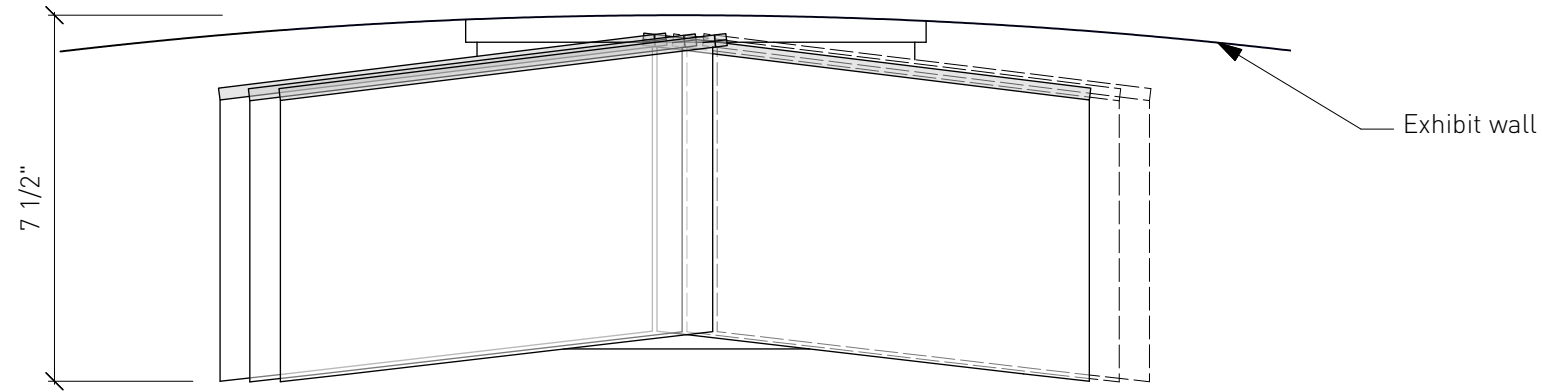
7 Case mounting detail
3" = 1'-0"



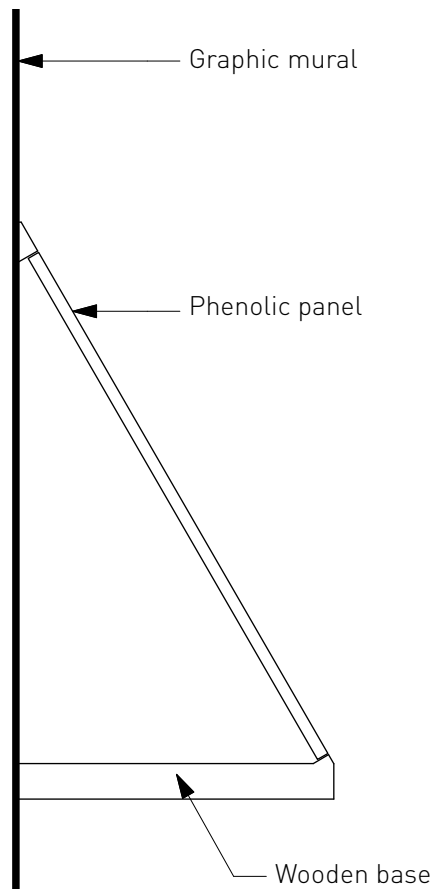
Written dimensions supercede scaled measurements. Contractors and fabricators shall verify & be responsible for verifying all dimensions and conditions on site and inform Content Design Collaborative of any discrepancy in drawings prior to performing the work.
This document represents design intent only. Contractors and fabricators shall comply with all local electrical, structural & safety codes. Content Design Collaborative LLC will NOT assume responsibility or liability for inappropriate engineering, construction, handling or installation of any component represented herein.

DATES ISSUED	
2.15.12	Task 3
5.31.12	Task 4
6.18.12	Update

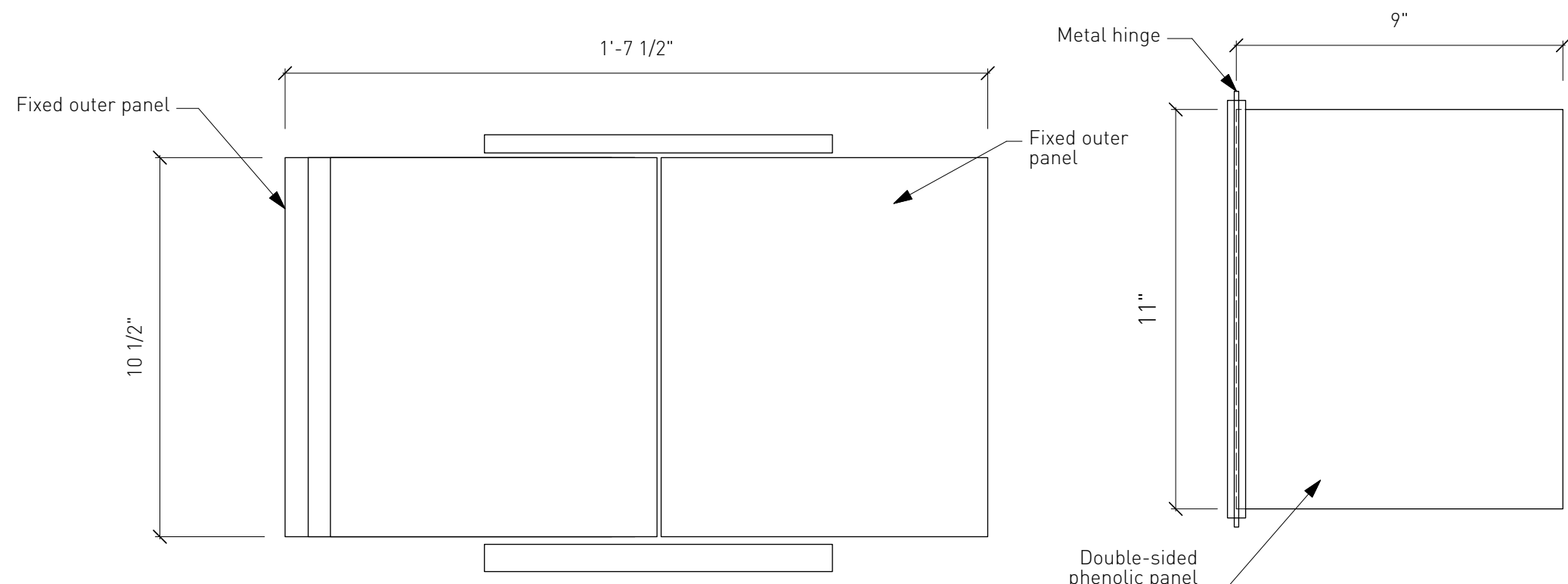
Drawn by:
SS
Title



1 Flip Book Plan
3" = 1'-0"



2 Side Elevation
3" = 1'-0"



3 Front Elevation
3" = 1'-0"

4 Single Page Detail
3" = 1'-0"



Written dimensions supercede scaled measurements. Contractors and fabricators shall verify & be responsible for verifying all dimensions and conditions on site and inform Content Design Collaborative of any discrepancy in drawings prior to performing the work.

This document represents design intent only. Contractors and fabricators shall comply with all local electrical, structural & safety codes. Content Design Collaborative LLC will NOT assume responsibility or liability for inappropriate engineering, construction, handling or installation of any component represented herein.

DATES ISSUED

2.15.12 Task 3

Drawn by:
SS

Title

Flipbook

3.3

Area 4 Wetlands

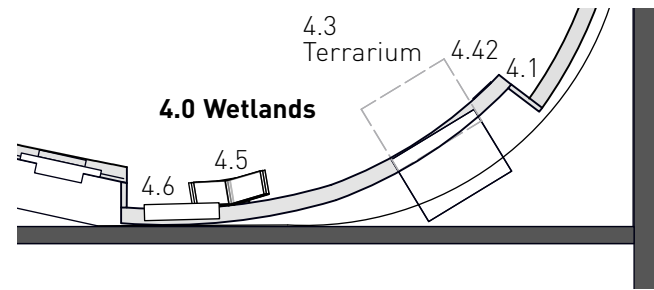
In addition to the exhibit wall with base and mural graphics, there is a surface mounted case with a half model of a Barnegat Bay sneakbox with sail. In addition, there is also the typical flip book structure and a terrarium (from Showcase cages) mounted on a slide-out system. The terrarium has a bezel frame that is removable for access. A label will be provided for mounting and placement next to the terrarium. A graphic panel is also provided that covers the terrarium opening in the event that there is no species available. The terrarium and model are provided by the exhibit contractor.

Submittal

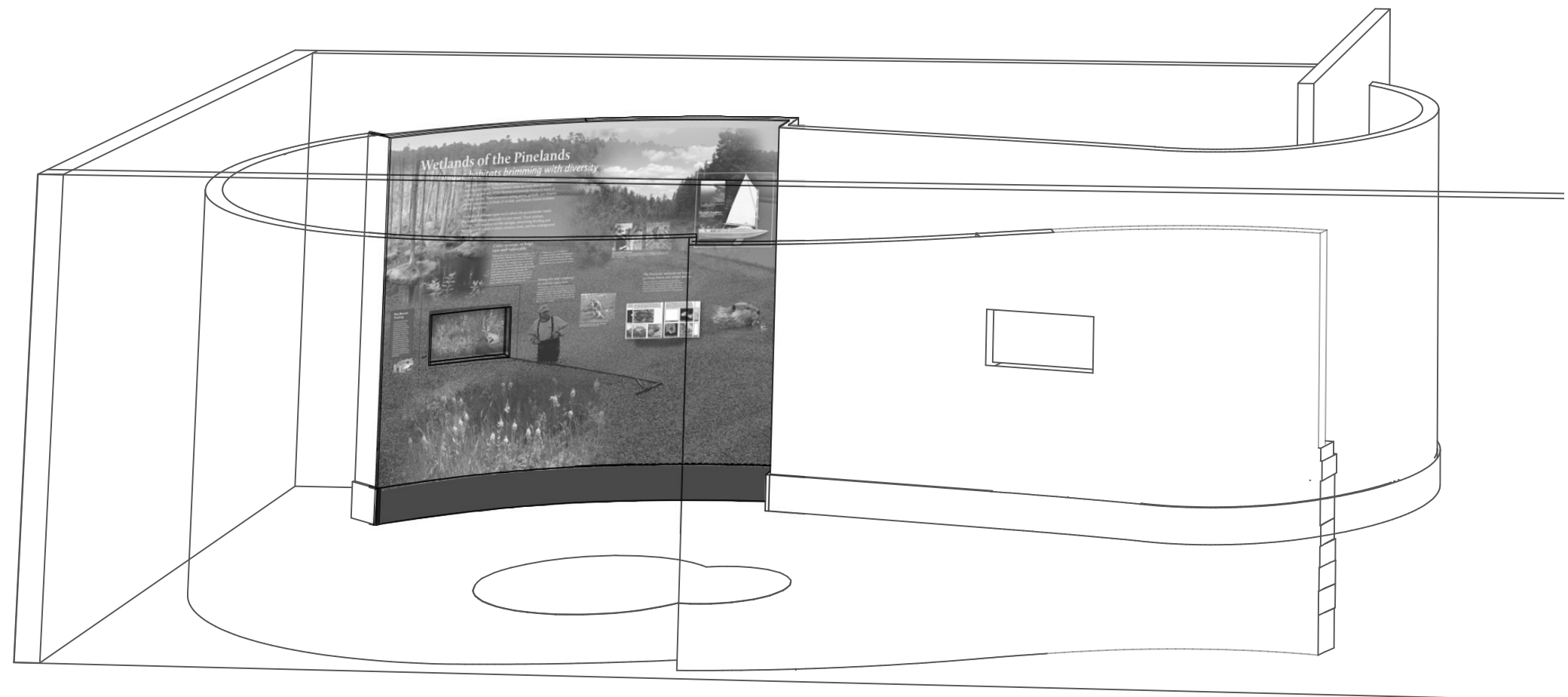
There are no special submittals for this area. See the graphics specifications and provide shop drawings.

Coordination

The exhibit contractor is responsible to ensure the artifact case and model are the correct size, as well as confirming the correct alignment of graphics and casework.



1 Area 4.0 Plan
1/4" = 1'-0"



Content•Design
COLLABORATIVE LLC
433 Country Way Scituate, MA 02066
781-378-1484 p 781-849-7910 f
contentdesign@me.com

New Jersey Pinelands Commission
15 Springfield Road
New Lisbon, NJ 08064
609-894-7300



Written dimensions supercede scaled measurements. Contractors and fabricators shall verify & be responsible for verifying all dimensions and conditions on site and inform Content Design Collaborative of any discrepancy in drawings prior to performing the work.

This document represents design intent only. Contractors and fabricators shall comply with all local electrical, structural & safety codes. Content Design Collaborative LLC will NOT assume responsibility or liability for inappropriate engineering, construction, handling or installation of any component represented herein.

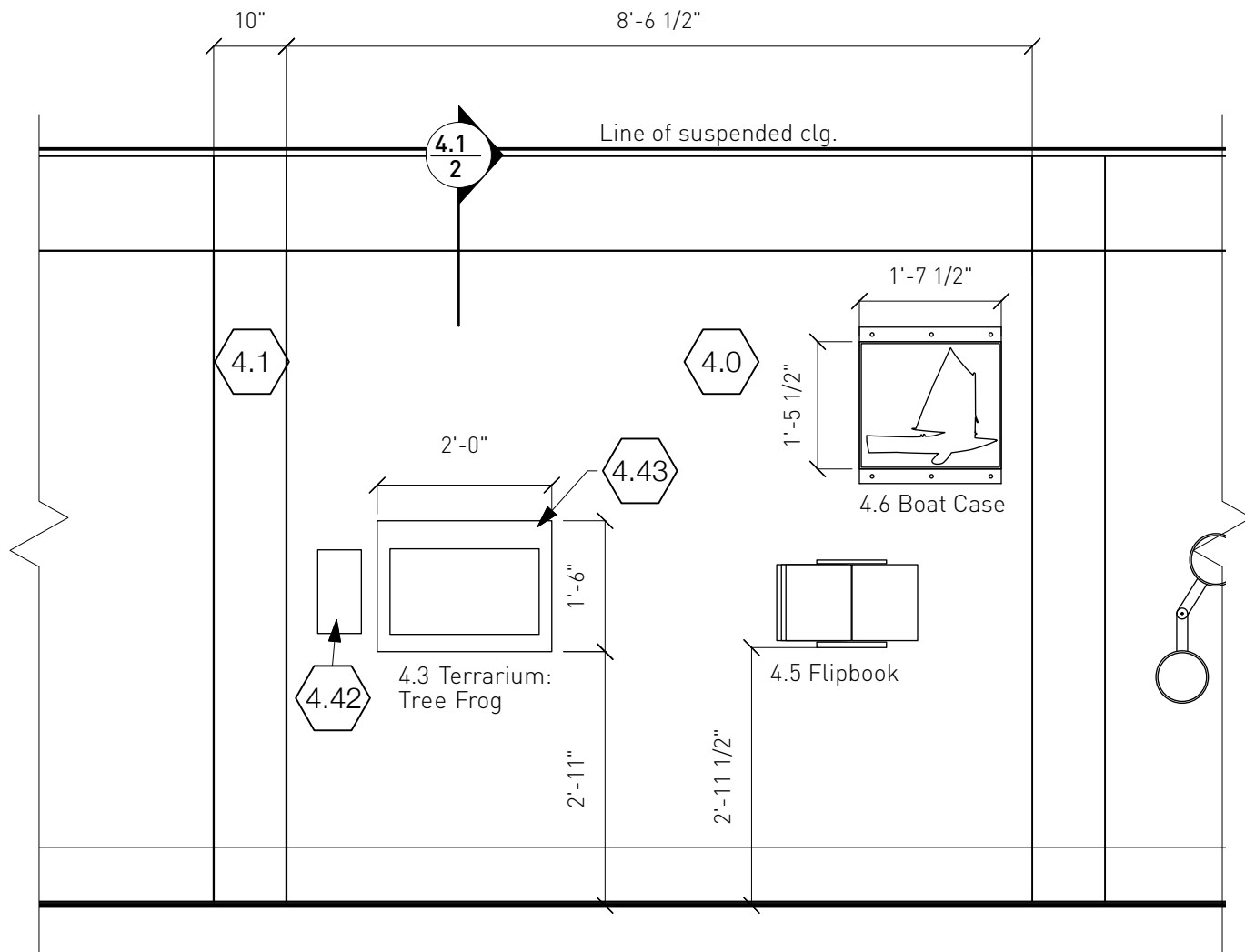
DATES ISSUED

2.15.12 Task 3
5.31.12 Task 4

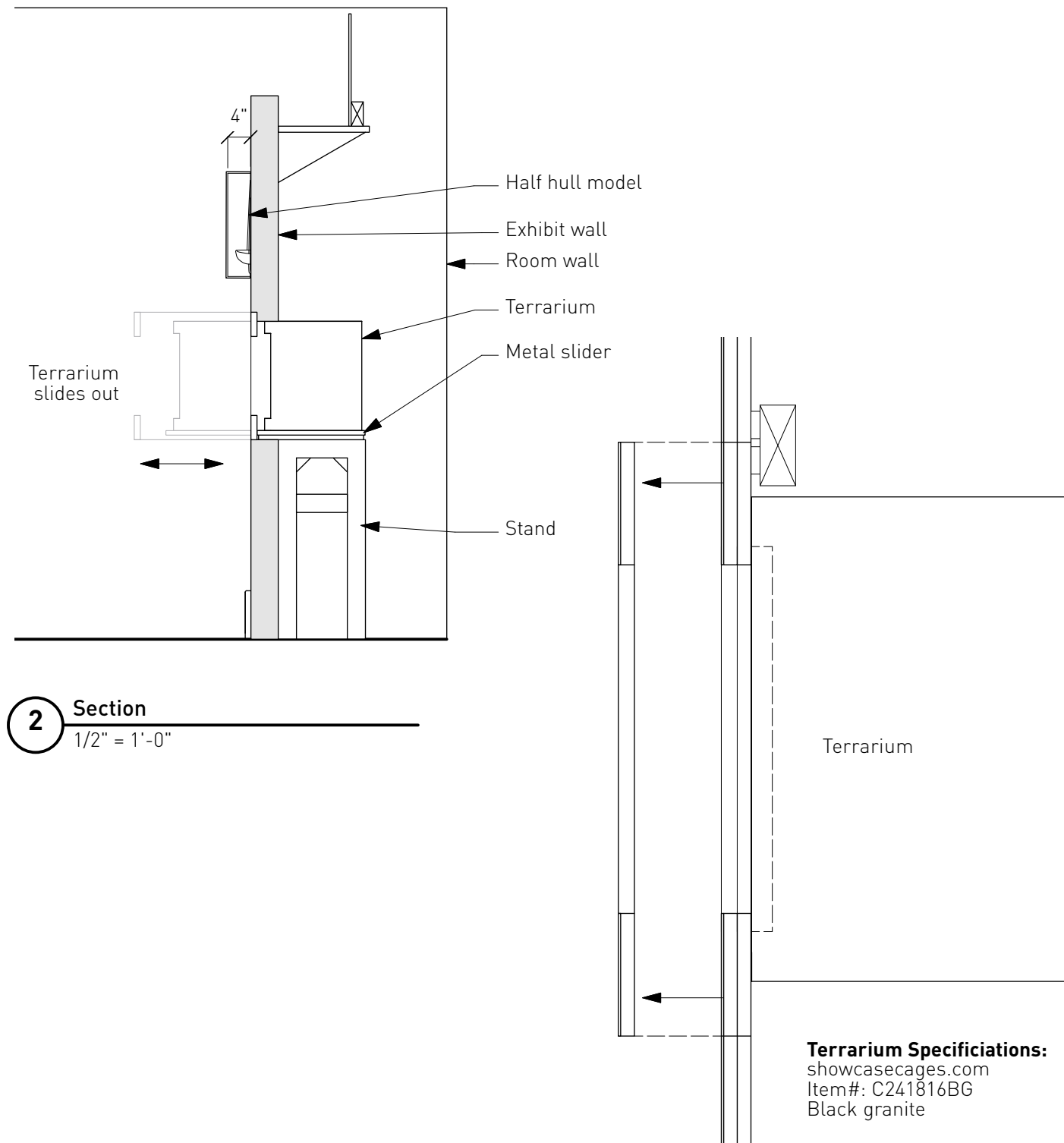
Drawn by:
SS

Title
Area 4.0 Wetlands

4.0



1 4.0 Flattened Elevation
1/2" = 1'-0"



2 Section
1/2" = 1'-0"

3 Terrarium detail
3" = 1'-0"

Terrarium Specifications:
showcasecages.com
Item#: C241816BG
Black granite



Written dimensions supercede scaled measurements. Contractors and fabricators shall verify & be responsible for verifying all dimensions and conditions on site and inform Content Design Collaborative of any discrepancy in drawings prior to performing the work.
This document represents design intent only. Contractors and fabricators shall comply with all local electrical, structural & safety codes. Content Design Collaborative LLC will NOT assume responsibility or liability for inappropriate engineering, construction, handling or installation of any component represented herein.

DATES ISSUED
8.30.11 Review
2.15.12 Task 3
5.31.12 Task 4

Drawn by:
SS
Title

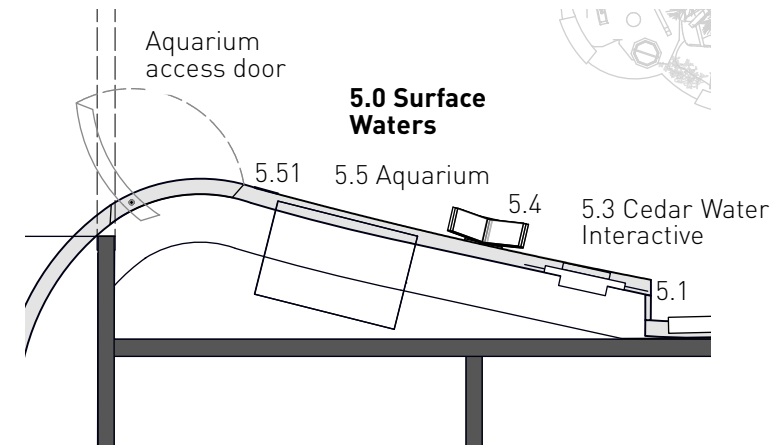
Wetlands Elevations

Area 5 Surface Waters

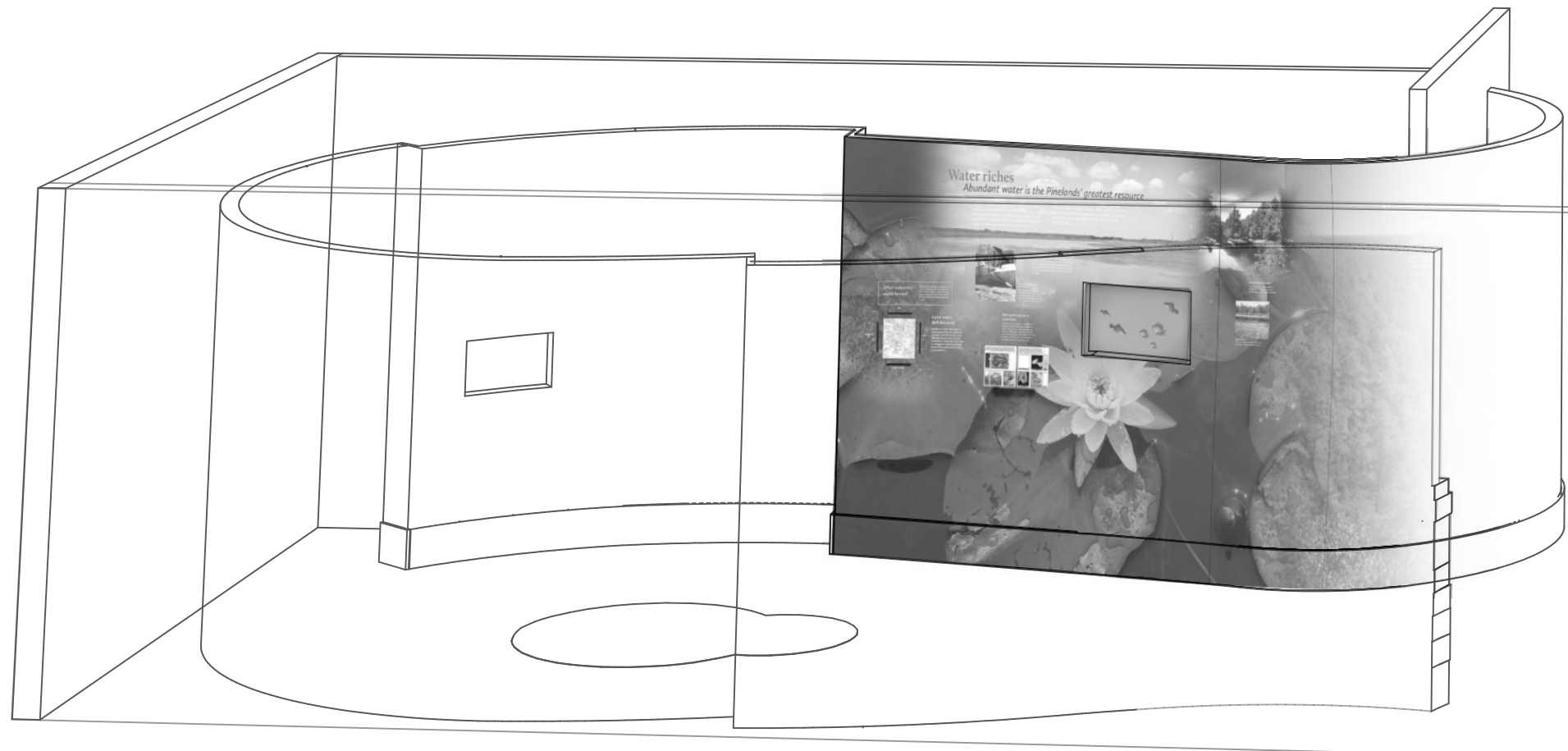
In addition to the flip book, cedar water interactive, and exhibit wall graphics, embedded in the graphic mural is an aquarium, with an access door to to the right of it. This typical 'stage set' door is designed with angled inside door frame faces and a pivot hinge for minimal gap between door and mural. The door continues the graphic wall mural, and is locking. The exhibit contractor is responsible for the proper alignment of the aquarium with the face of the mural, the support for the aquarium, and the utility light. Power and water will be provided, it is not a plumbed aquarium. A table will be provided for mounting and placement next to the aquarium.

Submittal
There are no special submittals for this area, see the graphics specifications for information on the media component and shop drawings.

Coordination
The exhibit contractor is responsible to coordinate the aquarium opening and access door swing with the room structure.



1 Area 5.0 Plan
1/4" = 1'-0"



Written dimensions supercede scaled measurements. Contractors and fabricators shall verify & be responsible for verifying all dimensions and conditions on site and inform Content Design Collaborative of any discrepancy in drawings prior to performing the work.

This document represents design intent only. Contractors and fabricators shall comply with all local electrical, structural & safety codes. Content Design Collaborative LLC will NOT assume responsibility or liability for inappropriate engineering, construction, handling or installation of any component represented herein.

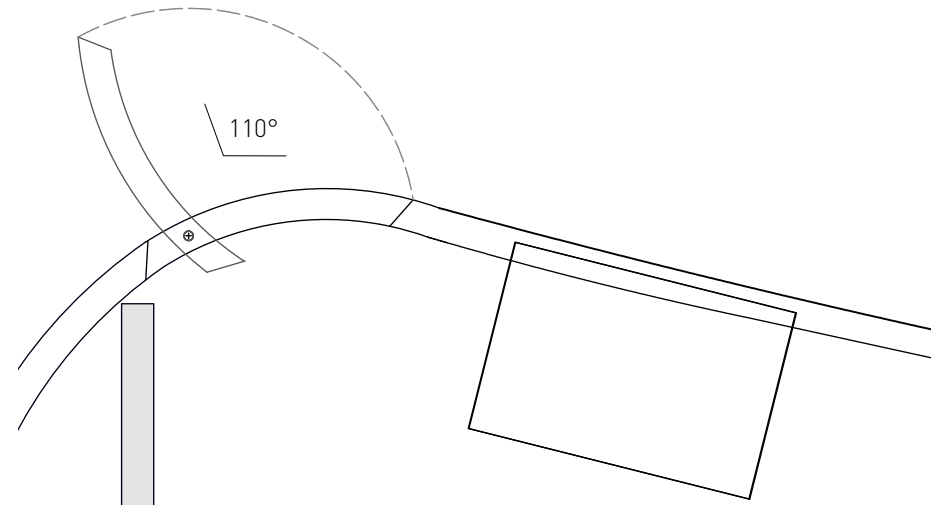
DATES ISSUED

- 2.15.12 Task 3
- 5.31.12 Task 4

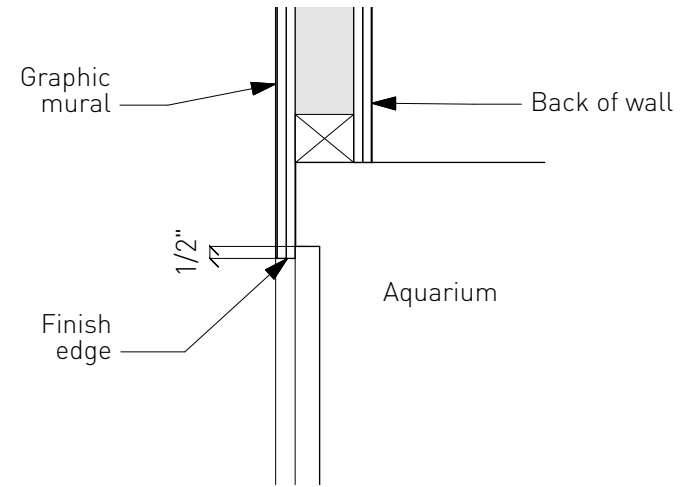
Drawn by:
SS

Title
Area 5.0 Surface Waters

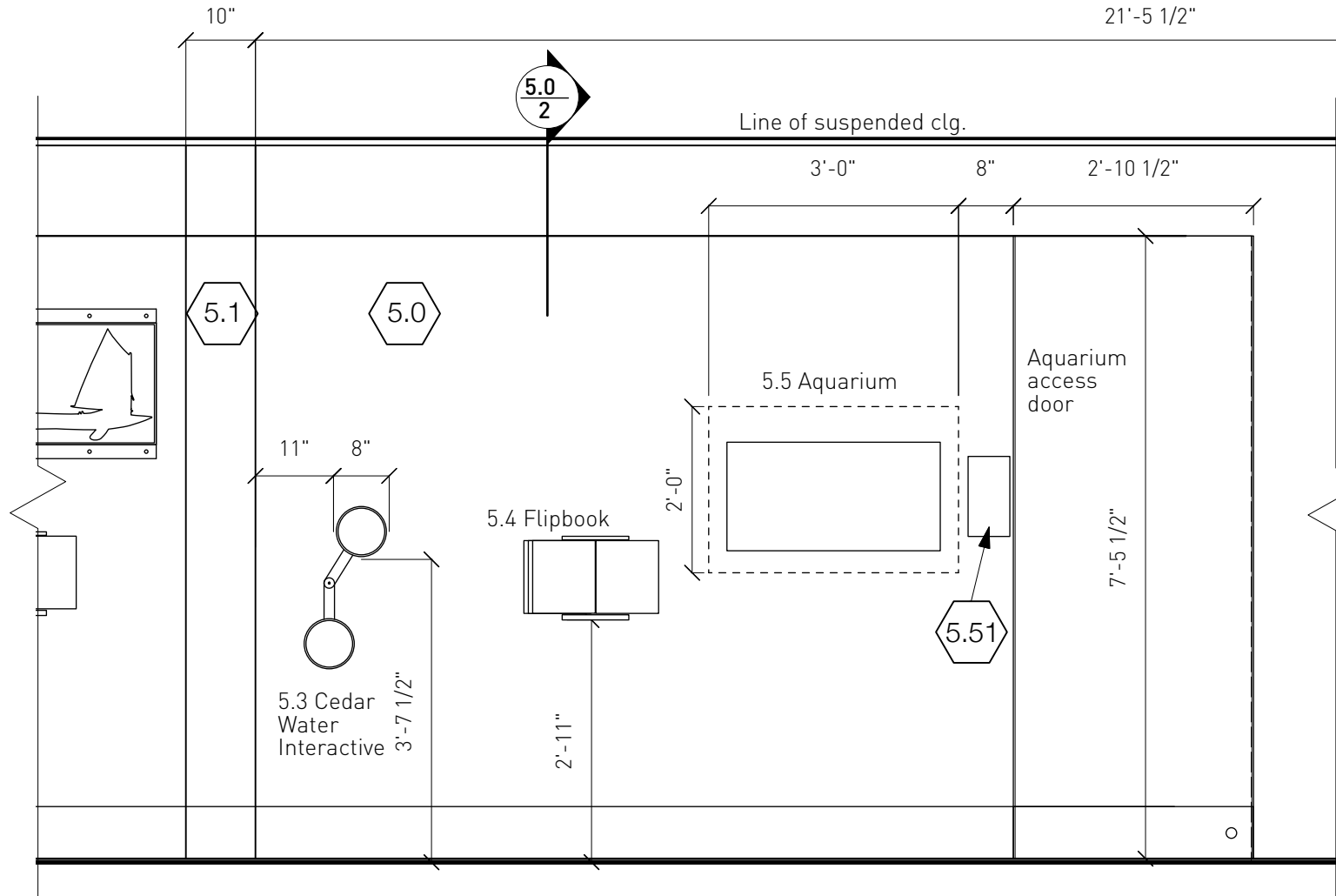
5.0



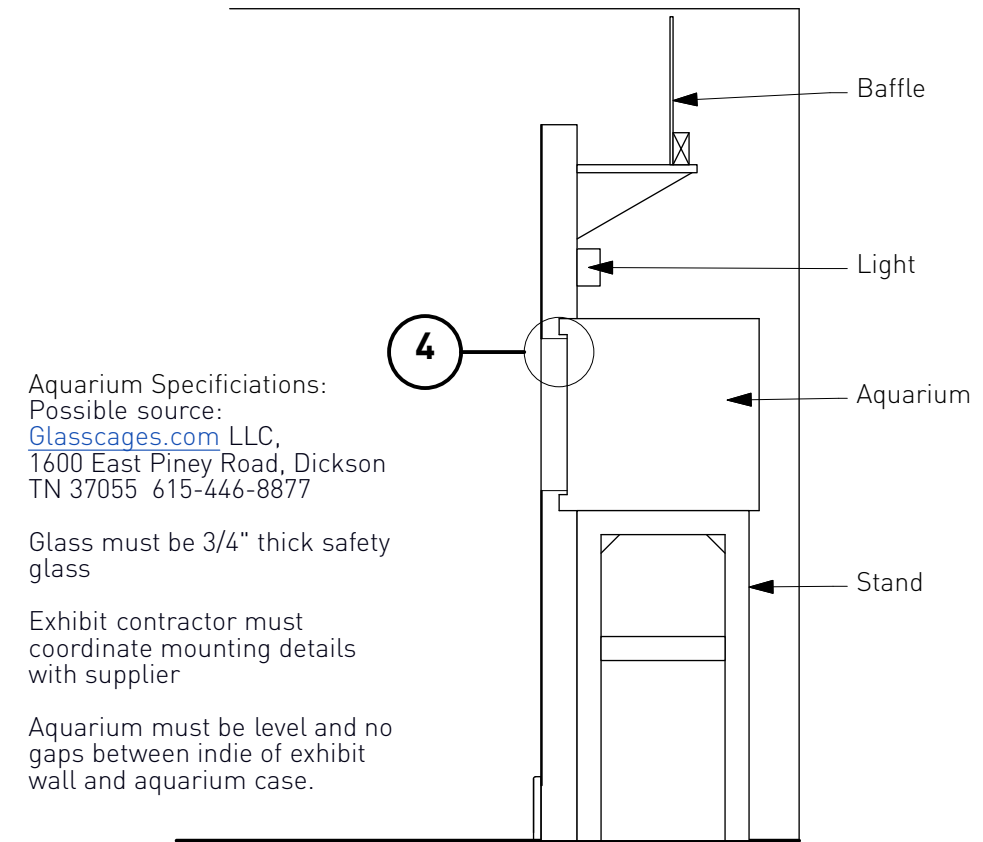
1 Aquarium Access Door Plan
1/2" = 1'-0"



4 Aquarium detail
1-1/2" = 1'-0"



2 5.0 Flattened Elevation
1/2" = 1'-0"



Aquarium Specifications:
Possible source:
Glasscages.com LLC,
1600 East Piney Road, Dickson
TN 37055 615-446-8877

Glass must be 3/4" thick safety glass

Exhibit contractor must coordinate mounting details with supplier

Aquarium must be level and no gaps between indie of exhibit wall and aquarium case.

3 Section
1/2" = 1'-0"



Written dimensions supercede scaled measurements. Contractors and fabricators shall verify & be responsible for verifying all dimensions and conditions on site and inform Content Design Collaborative of any discrepancy in drawings prior to performing the work.

This document represents design intent only. Contractors and fabricators shall comply with all local electrical, structural & safety codes. Content Design Collaborative LLC will NOT assume responsibility or liability for inappropriate engineering, construction, handling or installation of any component represented herein.

DATES ISSUED
8.30.11 Review
2.15.12 Task 3
5.31.12 Task 4

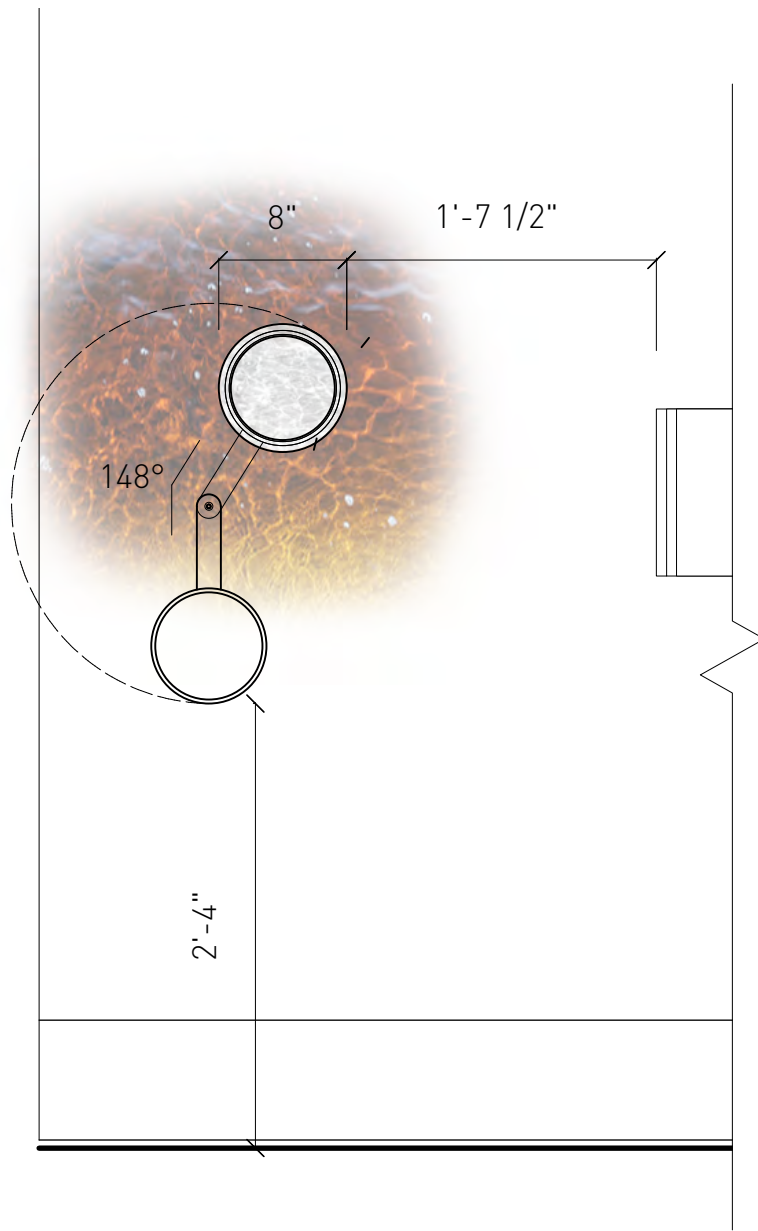
Drawn by:
SS

Title
5.0/1.2 Elevations & Details

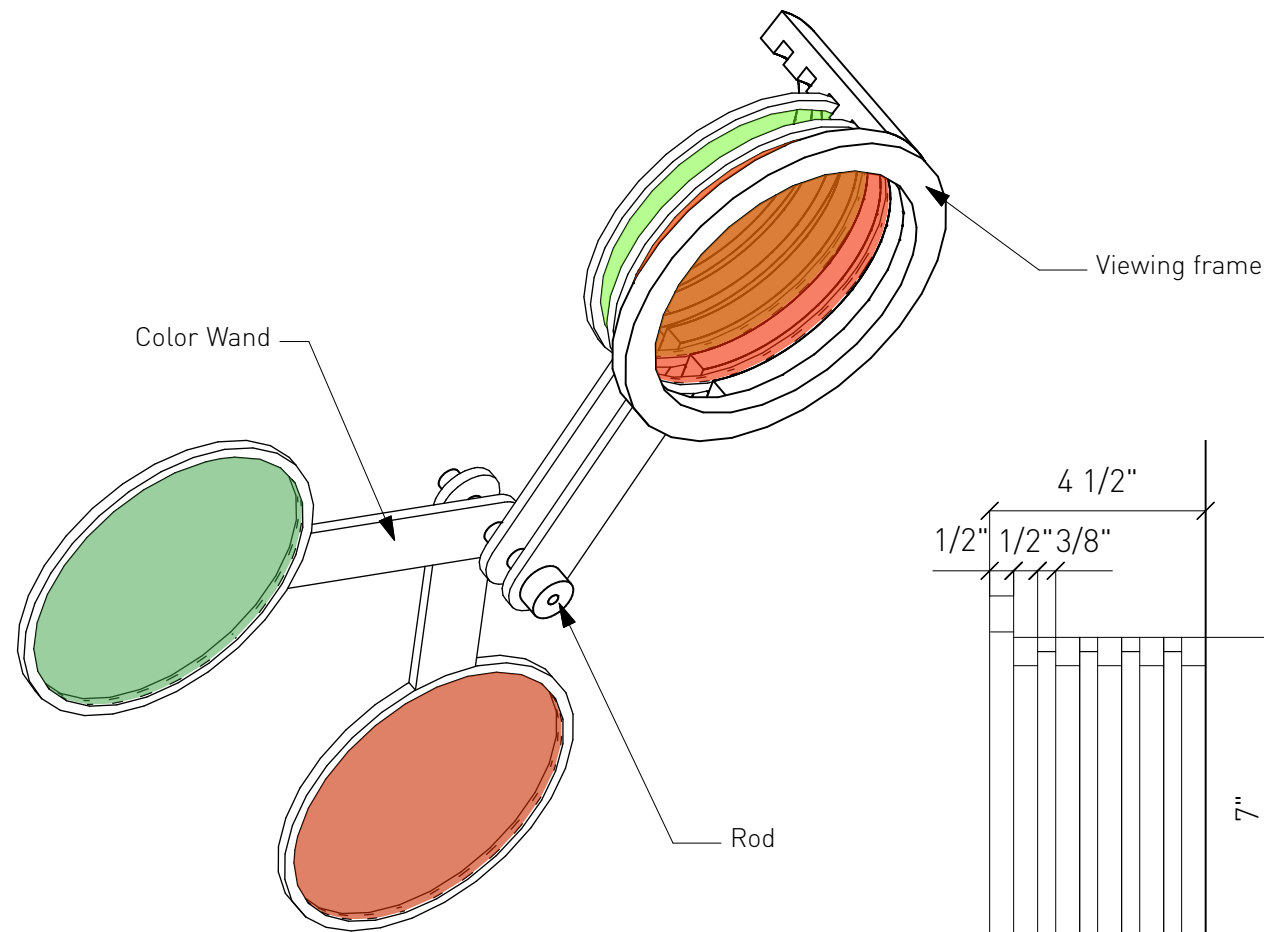
5.1

Sequence

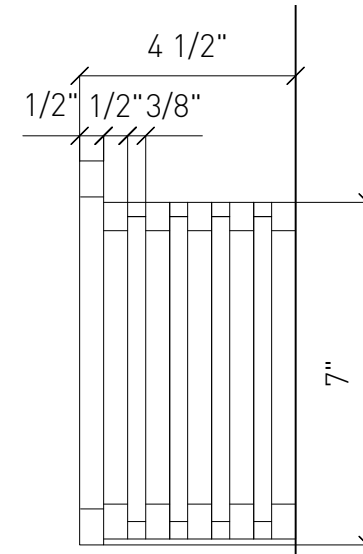
1. Position yourself in front of the viewing frame so you can see through to the gray section of the water graphic.
2. Place the correct color wands behind the frame so that the color of the gray section of the graphic now matches the rest of the water color.



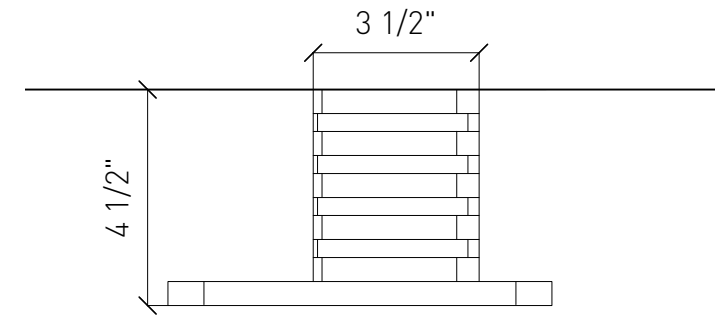
1 Cedar Water Interactive Front Elevation
1" = 1'-0"



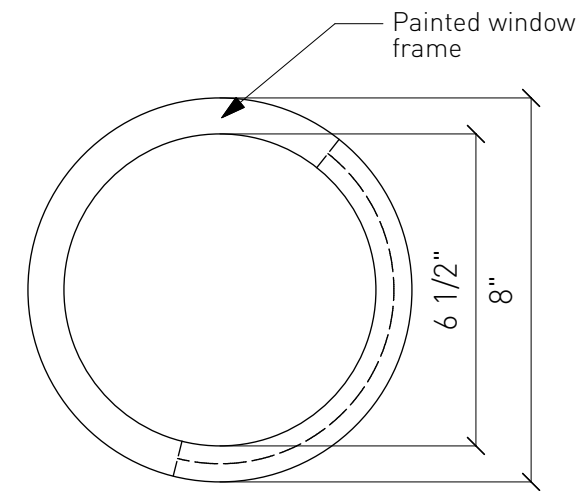
2 Axon View
3" = 1'-0"



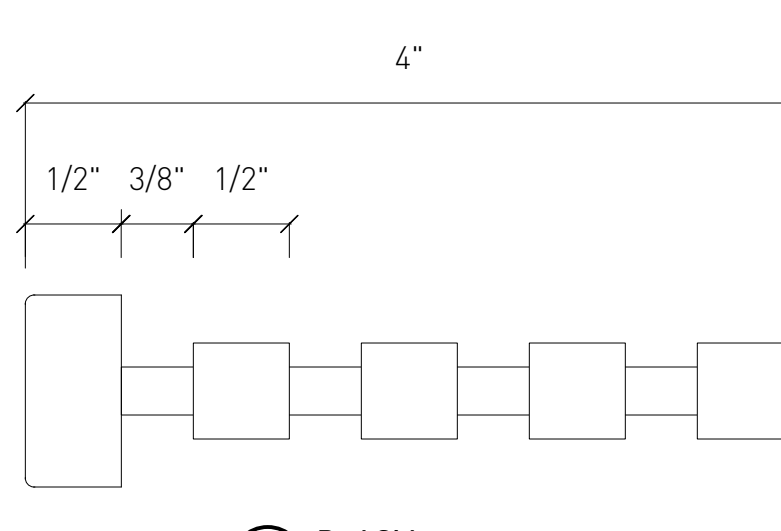
4 Viewing Frame Side
3" = 1'-0"



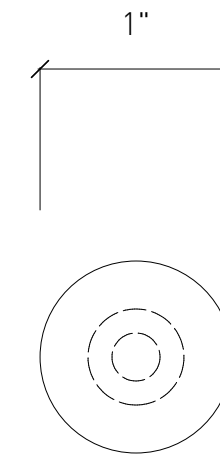
3 Viewing Frame Plan
3" = 1'-0"



5 Viewing Frame Front
3" = 1'-0"



6 Rod Side
6" = 1'-0"



7 Rod Front
6" = 1'-0"



Written dimensions supercede scaled measurements. Contractors and fabricators shall verify & be responsible for verifying all dimensions and conditions on site and inform Content Design Collaborative of any discrepancy in drawings prior to performing the work.

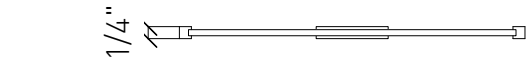
This document represents design intent only. Contractors and fabricators shall comply with all local electrical, structural & safety codes. Content Design Collaborative LLC will NOT assume responsibility or liability for inappropriate engineering, construction, handling or installation of any component represented herein.

DATES ISSUED

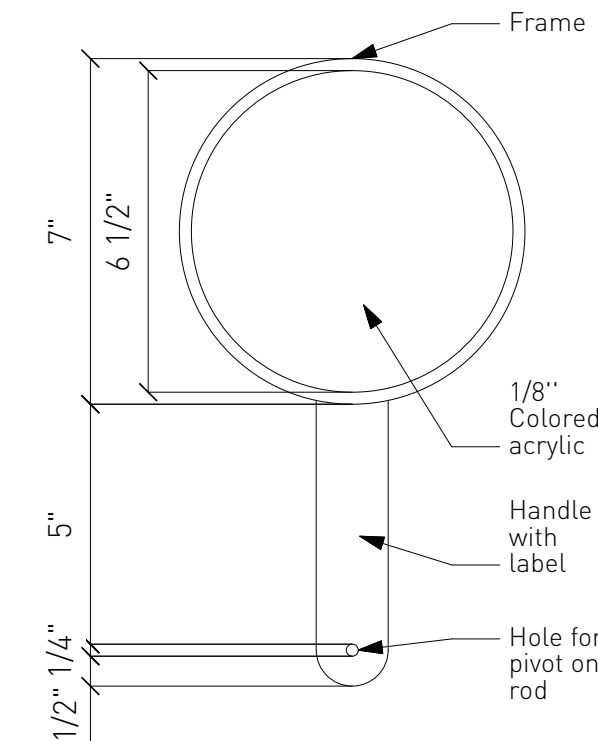
2.15.12 Task 3

Drawn by:
SS

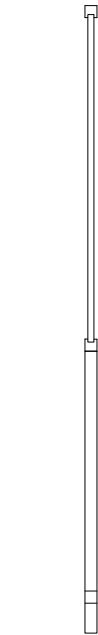
Title
Cedar Water Interactive



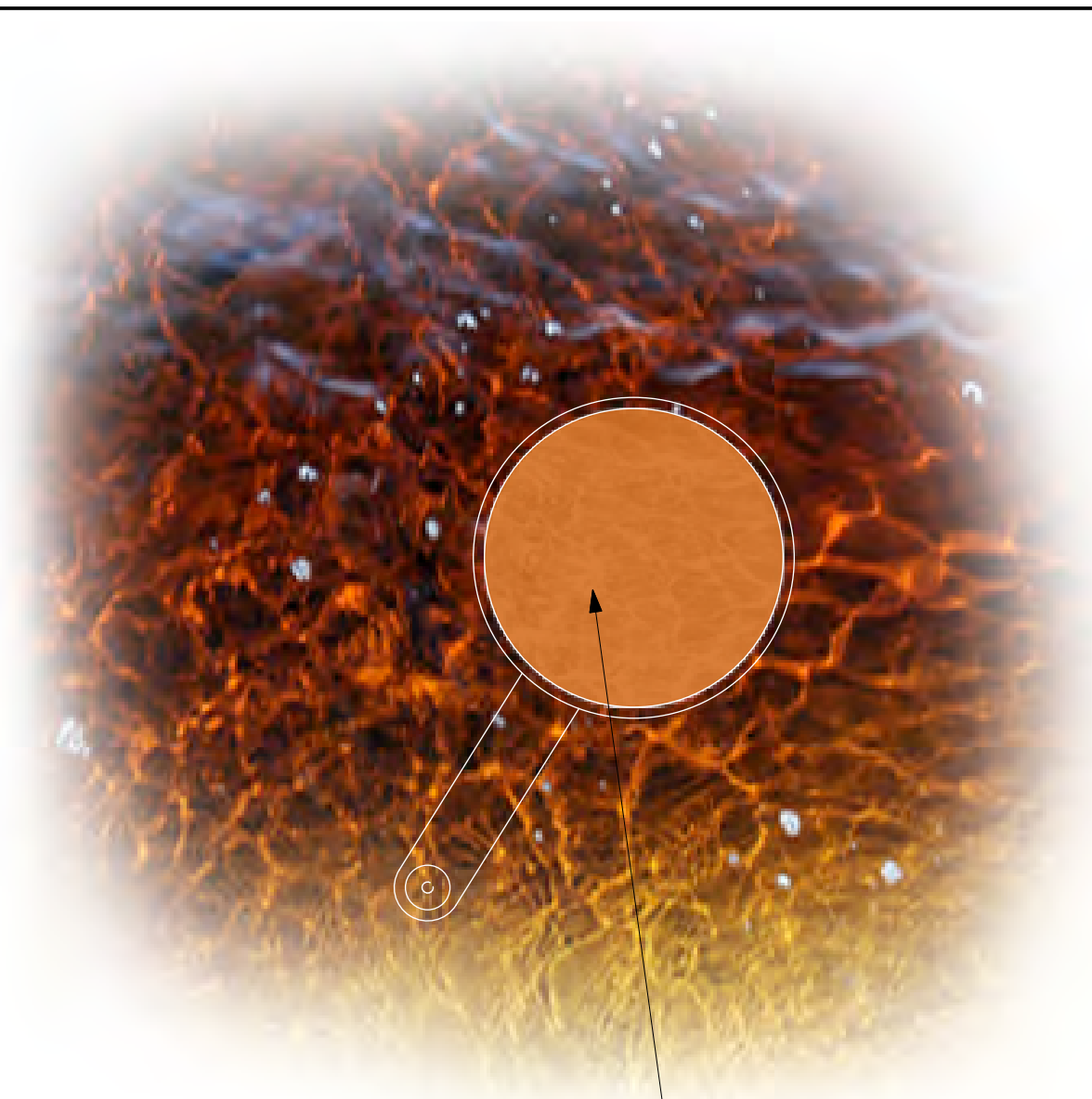
1 Color Wand Plan
3" = 1'-0"



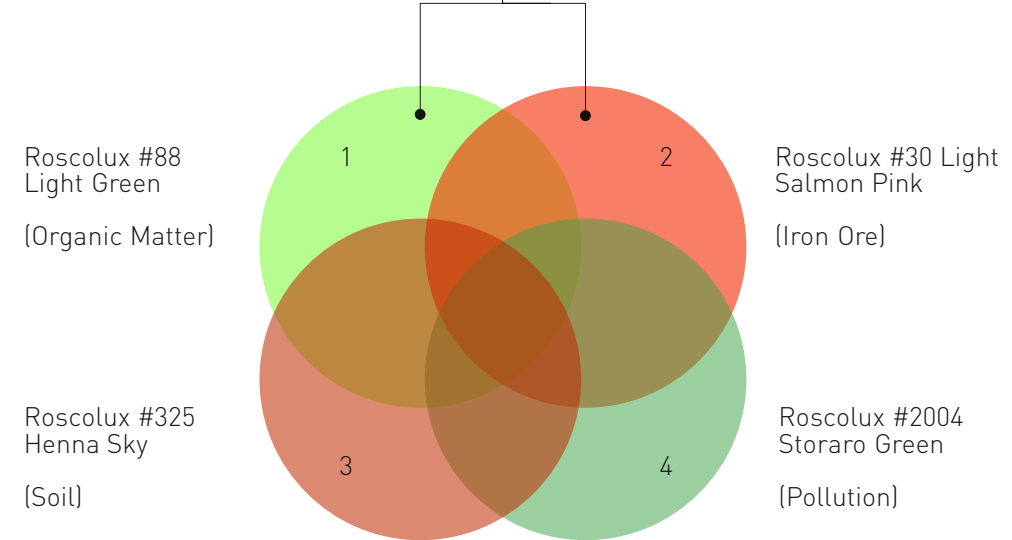
2 Color Wand Detail
3" = 1'-0"



3 Color Wand Side
3" = 1'-0"



4 Color Matching
3" = 1'-0"



5 Sample Color Overlays
3" = 1'-0"



Written dimensions supercede scaled measurements. Contractors and fabricators shall verify & be responsible for verifying all dimensions and conditions on site and inform Content Design Collaborative of any discrepancy in drawings prior to performing the work.

This document represents design intent only. Contractors and fabricators shall comply with all local electrical, structural & safety codes. Content Design Collaborative LLC will NOT assume responsibility or liability for inappropriate engineering, construction, handling or installation of any component represented herein.

DATES ISSUED

2.15.12 Task 3

Drawn by:
SS

Title
Cedar Water Interactive

Area 6 Pinelands Resources

This is a sculpture which represents all that has been produced from natural resources as well as harvested. Where possible, durable tactile elements that are actual artifacts, such as a historic mason jar reproduction will be used, as well as scenic elements such as the sand pile. The tree will have elements pinned off it and the upper level will have scenically reproduced branches and needles. The contractor will install an edge illuminated graphic in a recessed ceiling space, [graphic element 6.6].

The charcoal pile will have a glowing ember located within the pile. Power will be located by the general contractor in the ceiling for the glowing ember charcoal effect (#13).

Shop Mock Up

The exhibit contractor will create a massing model prototype for review.

Key

- | | |
|---------------------------|---|
| 1. Bog Iron | 13. Charcoal |
| 2. Iron Pot | 14. Charcoal (inner) |
| 3. Iron Ingot or sprue | 15. Cedar Tree |
| 4. Tombstone | 16. Cedar Planks |
| 5. Cannonball (4lb & 6lb) | 17. Wooden Shingles |
| 6. Section of Pipe | 18. Duck Decoys (Progressive - 3 Steps) |
| 7. Fireback | 19. Sphagnum Moss |
| 8. Sand Pile | 20. Crates |
| 9. Mason Jar | 21. Cranberries |
| 10. Glass Paperweight | 22. Cranberry Scoop |
| 11. Slag | 23. Jersey Devil |
| 12. Jersey Glass | |

6.1
2

See sheet 6.3 for further details regarding the resource details

6.1
1

Rail 6.1 Bog Iron

Rail 6.2 Sand

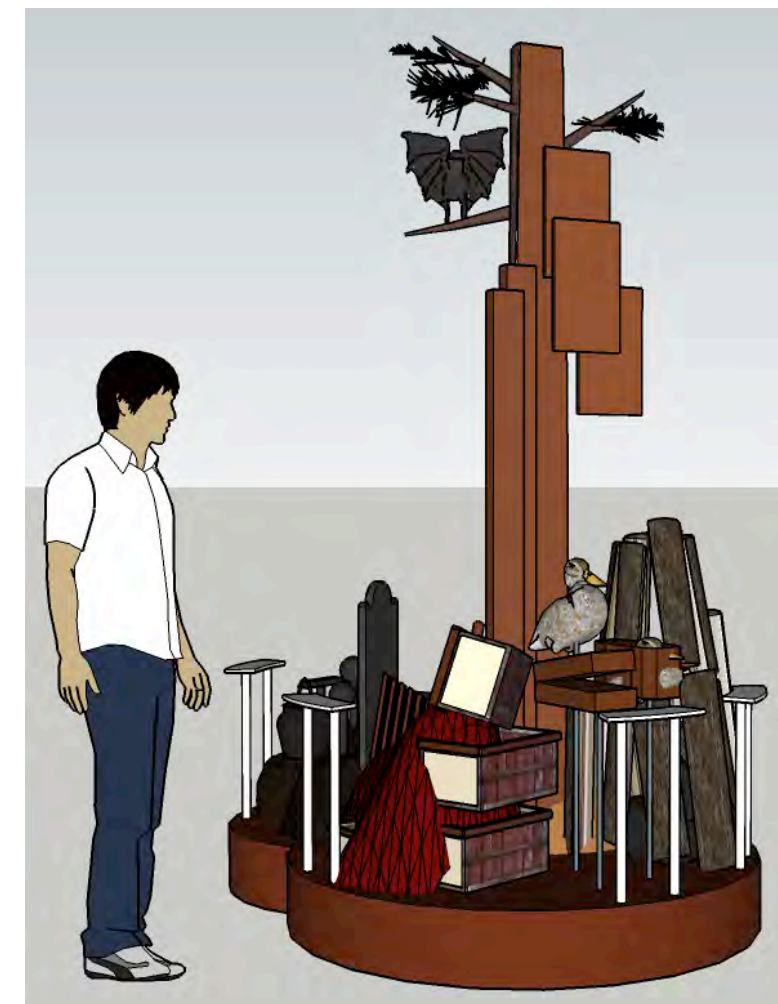
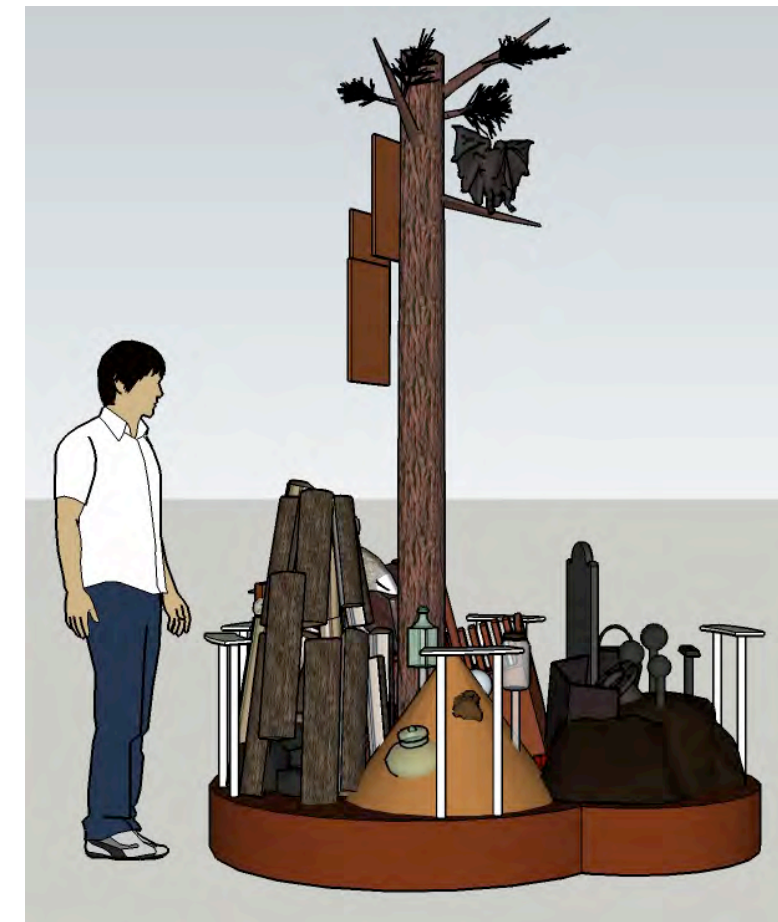
Rail 6.3 Charcoal

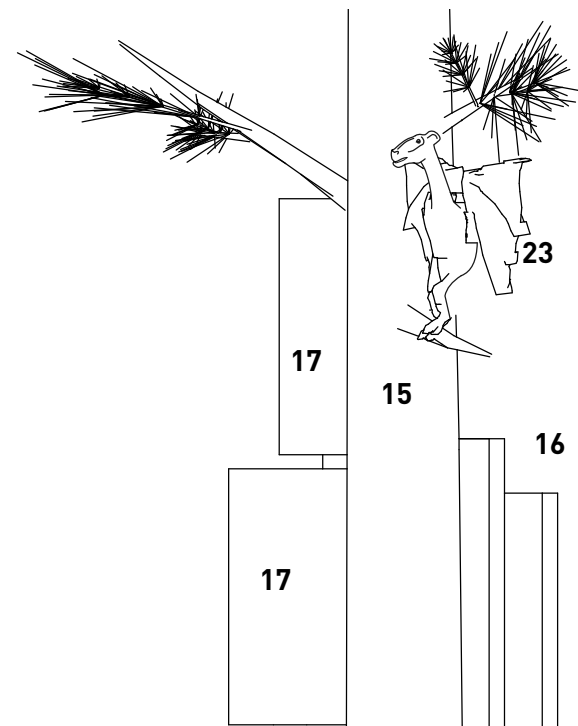
6.2
1

Rail 6.4 Cedar

Rail 6.5 Piney lingo

1 Pinelands Resources Plan 6.2
1" = 1'





Key

- | | |
|---------------------------|---|
| 1. Bog Iron | 13. Charcoal |
| 2. Iron Pot | 14. Charcoal (inner) |
| 3. Iron Ingot or sprue | 15. Cedar Tree |
| 4. Tombstone | 16. Cedar Planks |
| 5. Cannonball (4lb & 6lb) | 17. Wooden Shingles |
| 6. Section of Pipe | 18. Duck Decoys (Progressive - 3 Steps) |
| 7. Fireback | 19. Sphagnum Moss |
| 8. Sand Pile | 20. Crates |
| 9. Mason Jar | 21. Cranberries |
| 10. Glass Paperweight | 22. Cranberry Scoop |
| 11. Slag | 23. Jersey Devil |
| 12. Jersey Glass | |

Note:
Glowing ember colored light effect to be located within pile.
Final details to be determined during shop drawing phase and shop mock-up.

Glowing ember effect within pile

Rail 6.3 Charcoal

Rail 6.1 Bog

Rail 6.5 Piney lingo

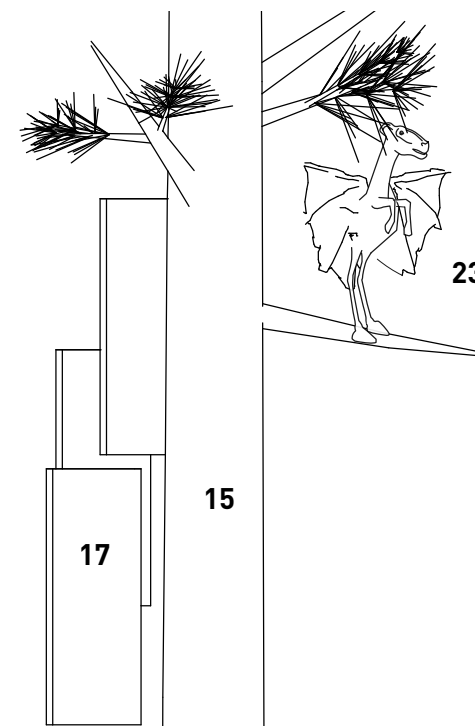
See sheet 6.4 for rail details

Paint base to match surrounding exhibit base

Level as required

Existing marmoleum floor

Note:
Sculpture should not require bolting to floor to be secure



Rail 6.2 Sand
See sheet 6.4 for details

Rail 6.2 Sand

Rail 6.1 Bog Iron

1 Pinelands Resources Elevation 1

1" = 1'

2 Pinelands Resources Elevation 2

1" = 1'



Written dimensions supercede scaled measurements. Contractors and fabricators shall verify & be responsible for verifying all dimensions and conditions on site and inform Content Design Collaborative of any discrepancy in drawings prior to performing the work.

This document represents design intent only. Contractors and fabricators shall comply with all local electrical, structural & safety codes. Content Design Collaborative LLC will NOT assume responsibility or liability for inappropriate engineering, construction, handling or installation of any component represented herein.

DATES ISSUED

- 11.9.11
- 2.15.12 Task 3
- 3.12.12
- 5.31.12 Task 4

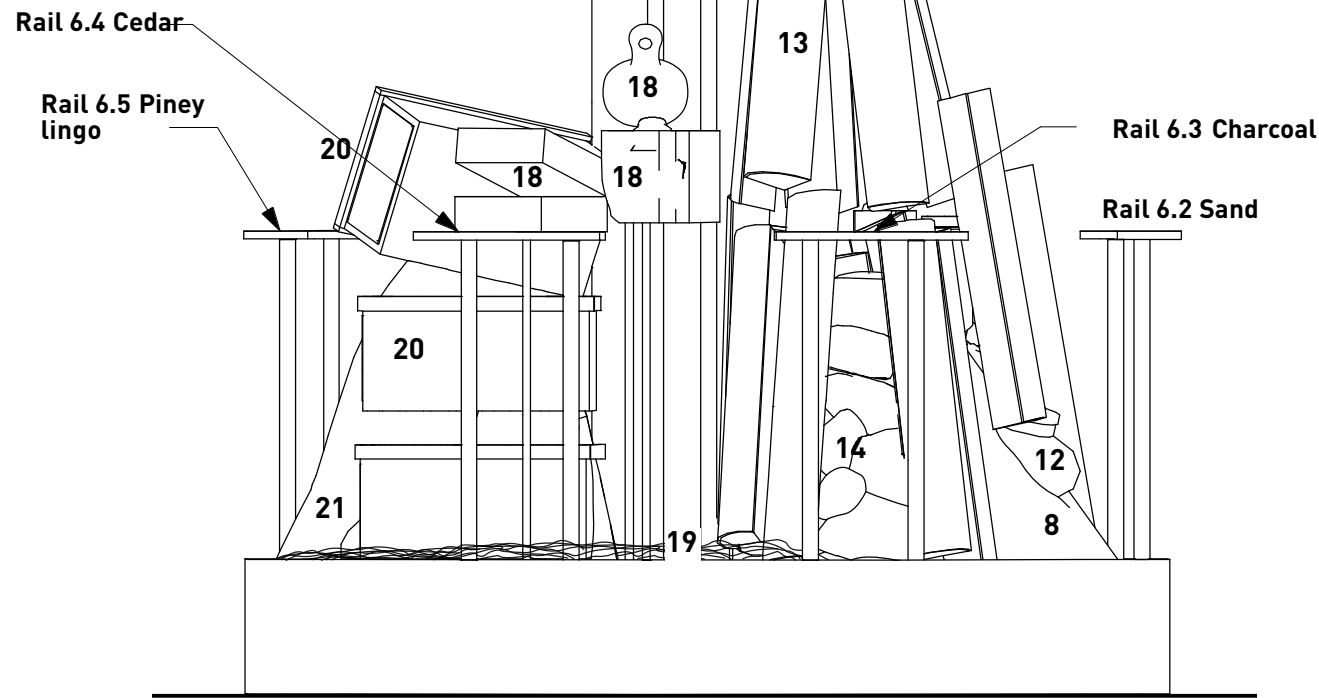
Drawn by:
SS

Title
Sculpture Elevations

6.1

Key

- | | |
|---------------------------|---|
| 1. Bog Iron | 13. Charcoal |
| 2. Iron Pot | 14. Charcoal (inner) |
| 3. Iron Ingot or sprue | 15. Cedar Tree |
| 4. Tombstone | 16. Cedar Planks |
| 5. Cannonball (4lb & 6lb) | 17. Wooden Shingles |
| 6. Section of Pipe | 18. Duck Decoys (Progressive - 3 Steps) |
| 7. Fireback | 19. Sphagnum Moss |
| 8. Sand Pile | 20. Crates |
| 9. Mason Jar | 21. Cranberries |
| 10. Glass Paperweight | 22. Cranberry Scoop |
| 11. Slag | 23. Jersey Devil |
| 12. Jersey Glass | |

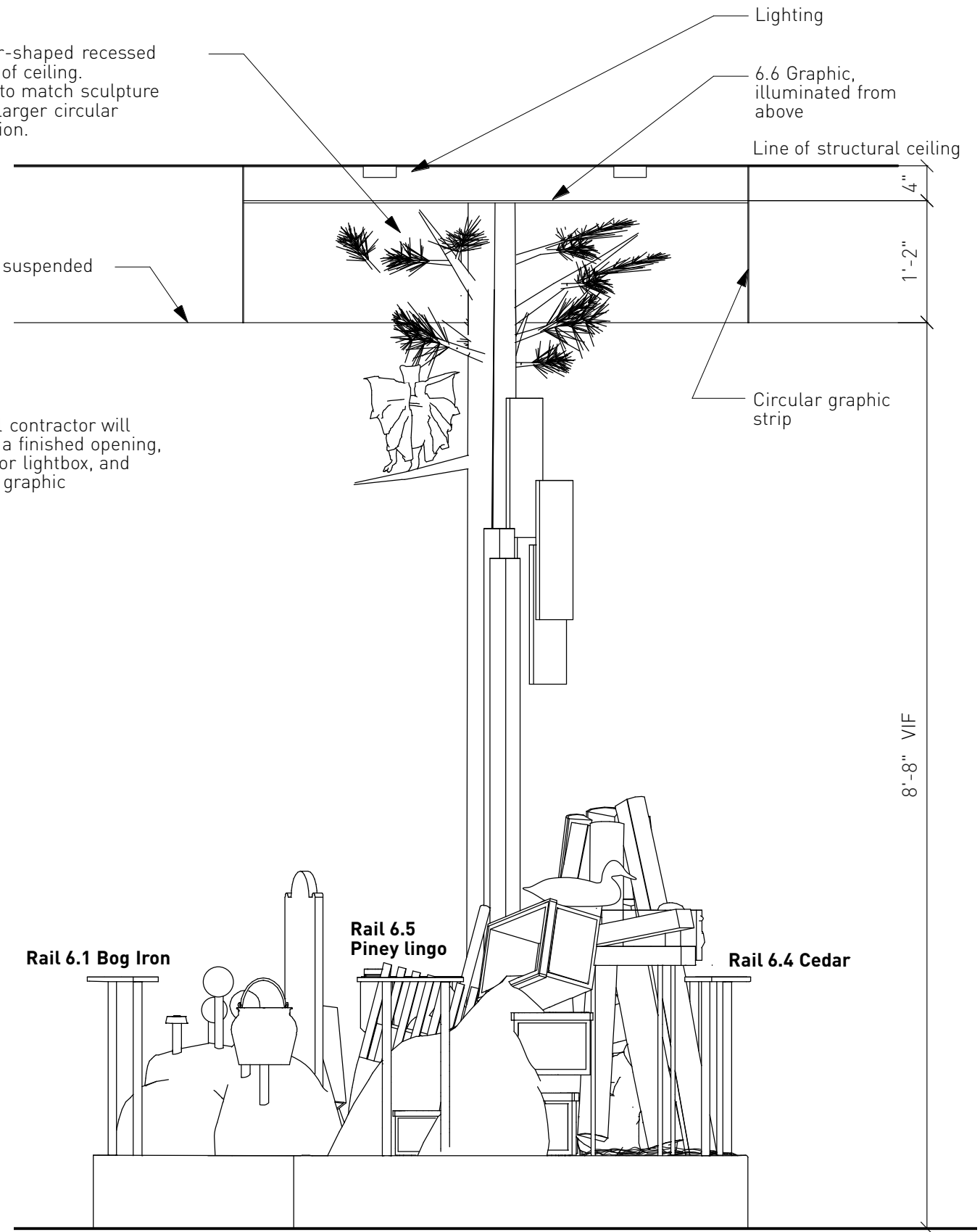


1 Pinelands Resources Elevation 3
1" = 1'

Circular-shaped recessed portion of ceiling. Radius to match sculpture base's larger circular dimension.

Line of suspended ceiling

Note: General contractor will provide a finished opening, power for lightbox, and applied graphic



2 Recessed Ceiling Detail
3/4" = 1'



Written dimensions supercede scaled measurements. Contractors and fabricators shall verify & be responsible for verifying all dimensions and conditions on site and inform Content Design Collaborative of any discrepancy in drawings prior to performing the work.

This document represents design intent only. Contractors and fabricators shall comply with all local electrical, structural & safety codes. Content Design Collaborative LLC will NOT assume responsibility or liability for inappropriate engineering, construction, handling or installation of any component represented herein.

DATES ISSUED

- 11.9.11
- 2.15.12 Task 3
- 3.12.12

Drawn by:
SS

Title
Sculpture Elevations

1. Bog Iron

Obtain actual bog iron from the area. Clean to remove bacteria and spray with a matte polyurethane clear-coat to reduce dust.



2. Iron pot

Use existing iron pot, clean and finish as above. Modify to allow for support that raises pot above bog iron.



3. Iron ingot or sprue

To be provided by client during shop drawing phase

4. Tombstone

Fabricate to match existing tombstone (unless actual specimen can be sourced)



5. Cannon ball (4lb and 6lb)

Fabricate from resin and mount on acrylic rod (unless actual specimen can be sourced)



6. Section of Pipe

7. Fire Back



8. Sand pile

Replicate actual sand pile matching the fine sand used in glassmaking



9. Mason Jar

Purchase and mount replica 19th century mason jars (Old Sturbridge Village)



10. Glass Paper Weight

11. Slag

12. Jersey Glass



13. Charcoal

Use act pine segments, seal with matte polyurethane spray. Construct so outer log segments are lifting away to reveal darkened charcoal within.



14. Charcoal (inner)

Use actual 'lump charcoal' available for purchase. Create glowing ember effect within pile.

15. Cedar Tree

Typical scenic representation of cedar tree trunk

16. Cedar Planks

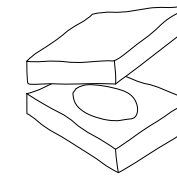
Finish actual cedar to resist staining, use rods and bolts to stand away from cut cedar trunk

17. Wooden Shingles

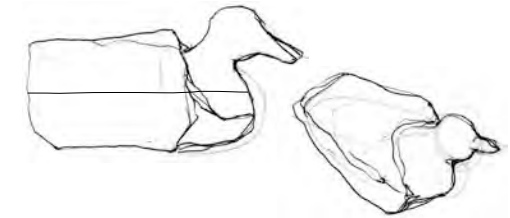
Finish with matte clearcoat to resist staining, mounted with pins to create dynamic effect of standing away from cedar tree

18. Duck Decoys (Progressive -3 Steps)

Step 1: Rough blocks of cedar wood, hollowed center



Step 2: Partially carved decoy



Step 3: Finished decoy



19. Spagnum Moss



20. Crates

To be provided by client during shop drawing phase

21. Cranberries



22. Cranberry Scoop

23. Jersey Devil



Written dimensions supersede scaled measurements. Contractors and fabricators shall verify & be responsible for verifying all dimensions and conditions on site and inform Content Design Collaborative of any discrepancy in drawings prior to performing the work.

This document represents design intent only. Contractors and fabricators shall comply with all local electrical, structural & safety codes. Content Design Collaborative LLC will NOT assume responsibility or liability for inappropriate engineering, construction, handling or installation of any component represented herein.

DATES ISSUED

11.9.11

2.15.12 Task 3

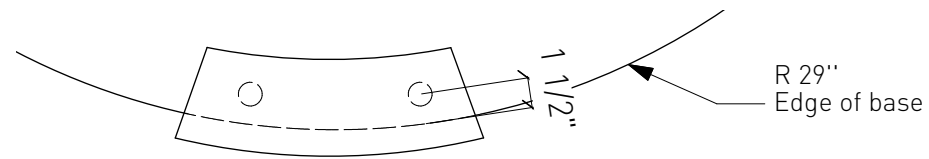
3.12.12

Drawn by:
SS

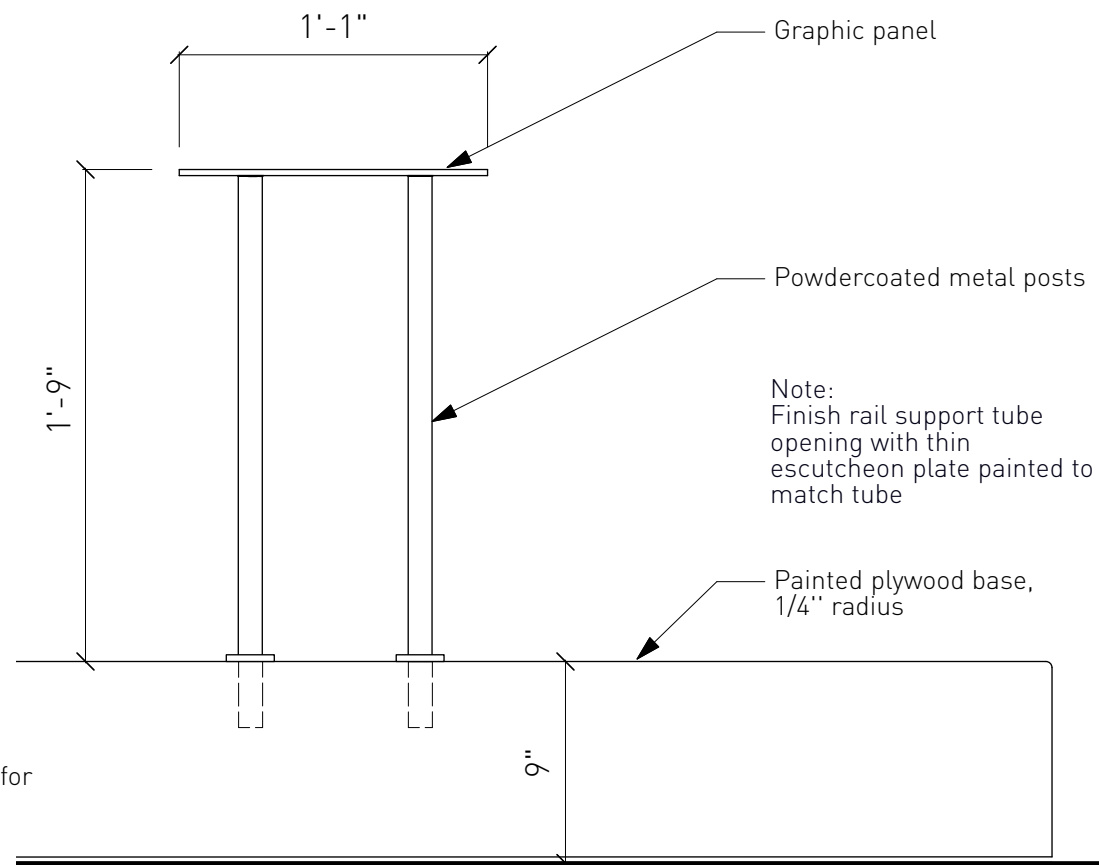
Title

Object Reference Key

6.3

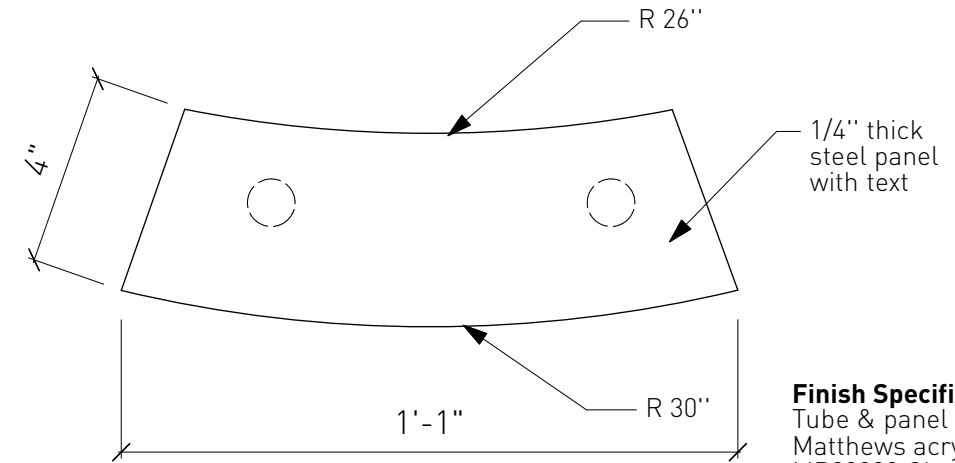


1 Graphic Rail Plan
1-1/2" = 1'



2 Graphic Rail Front Elevation
1-1/2" = 1'

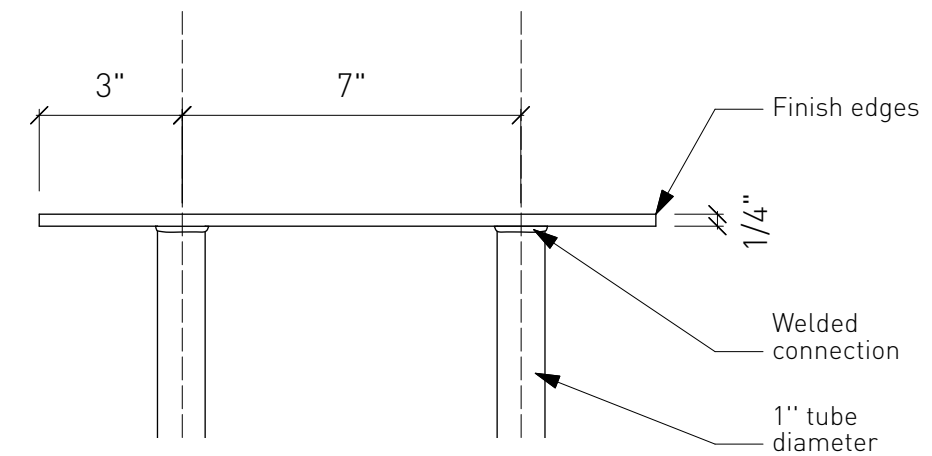
Contractor is responsible for mounting and leveling



3 Graphic Rail Plan Detail
3" = 1'

Finish Specifications
Tube & panel painted Matthews acrylic poly. MP20090 Champagne Brut Metallic Clearcoat satin finish

Text silkscreen color Matthews acrylic poly. MP11705 Chocolate Thunder



4 Graphic Rail Front View Detail
3" = 1'



Written dimensions supersede scaled measurements. Contractors and fabricators shall verify & be responsible for verifying all dimensions and conditions on site and inform Content Design Collaborative of any discrepancy in drawings prior to performing the work.

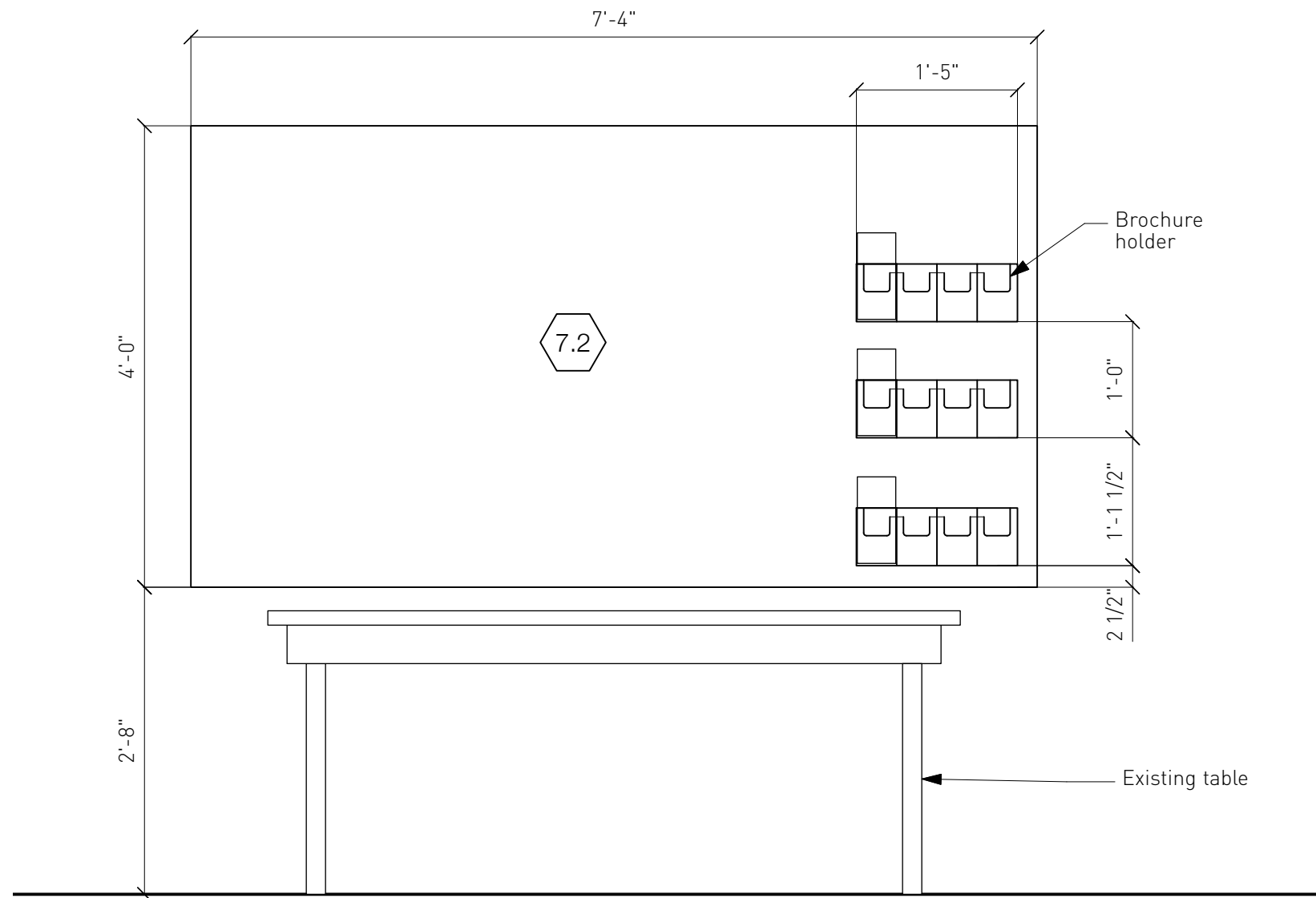
This document represents design intent only. Contractors and fabricators shall comply with all local electrical, structural & safety codes. Content Design Collaborative LLC will NOT assume responsibility or liability for inappropriate engineering, construction, handling or installation of any component represented herein.

DATES ISSUED

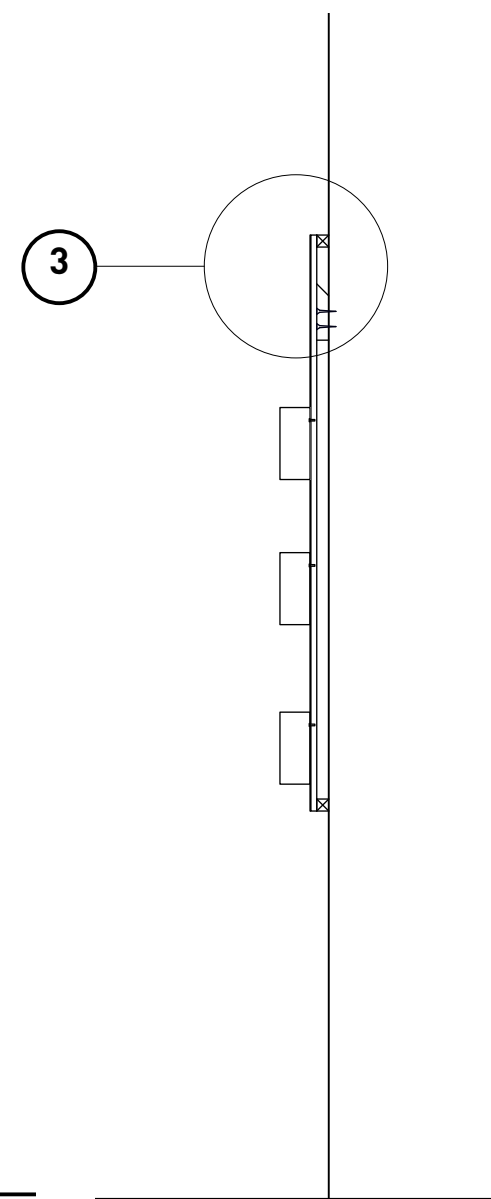
2.15.12 Task 3
3.12.12
5.31.12 Task 4

Drawn by:
SS

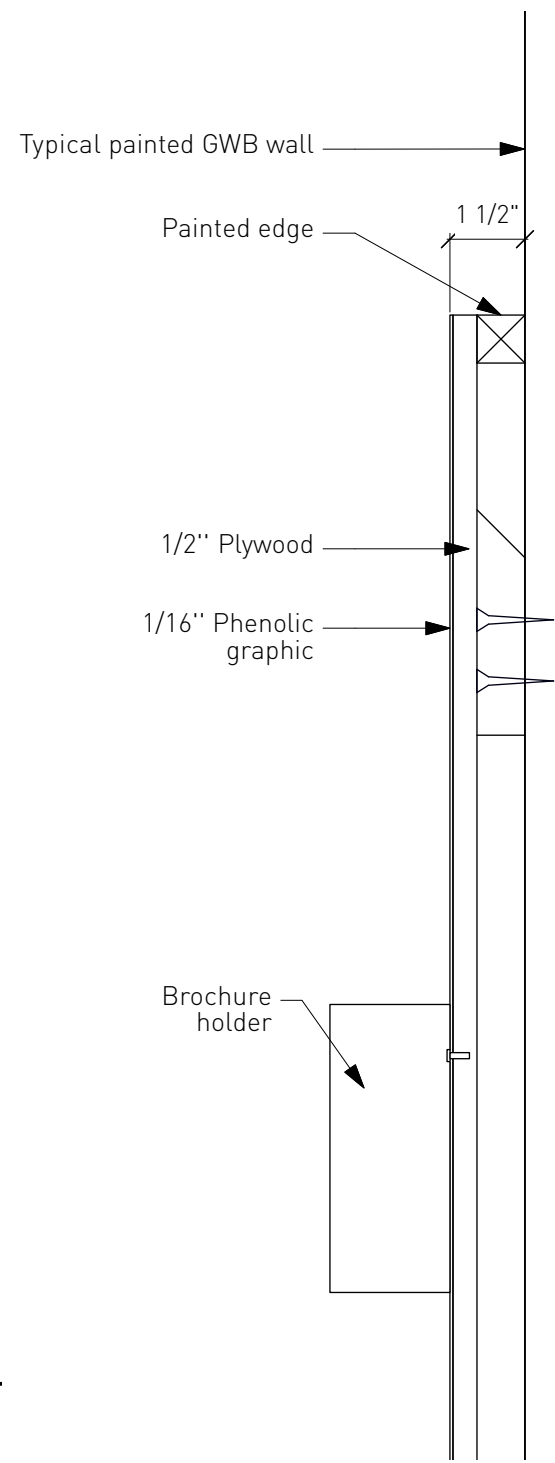
Title
Graphic Rail Details



1 Graphic Panel Elevation
3/4" = 1'-0"



2 Side Elevation
3/4" = 1'-0"



3 Detail
3" = 1'-0"



Written dimensions supercede scaled measurements. Contractors and fabricators shall verify & be responsible for verifying all dimensions and conditions on site and inform Content Design Collaborative of any discrepancy in drawings prior to performing the work.

This document represents design intent only. Contractors and fabricators shall comply with all local electrical, structural & safety codes. Content Design Collaborative LLC will NOT assume responsibility or liability for inappropriate engineering, construction, handling or installation of any component represented herein.

DATES ISSUED

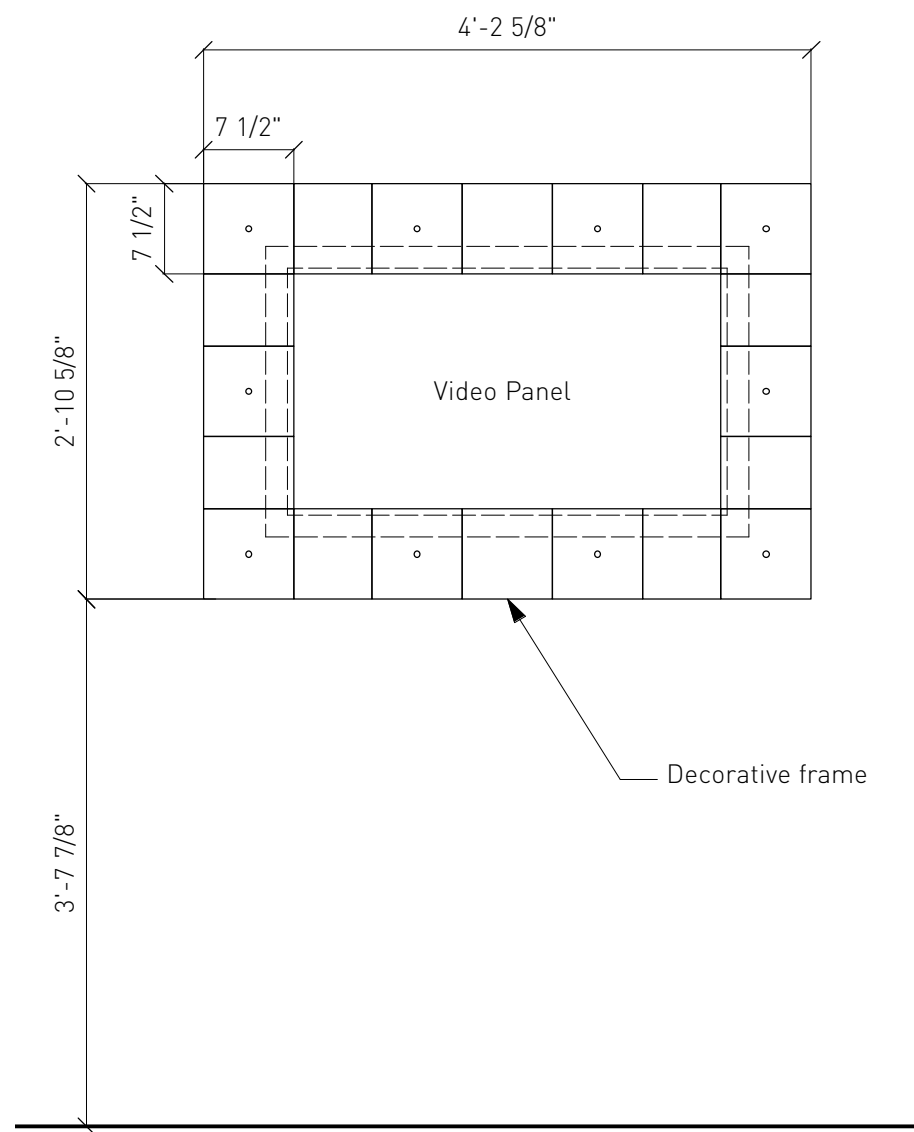
8.30.11 Review
2.15.12 Task 3

Drawn by:
SS

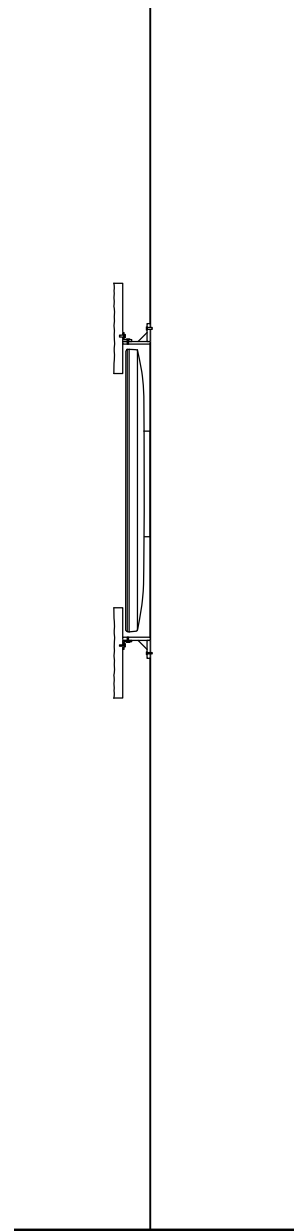
Title

Map Graphic

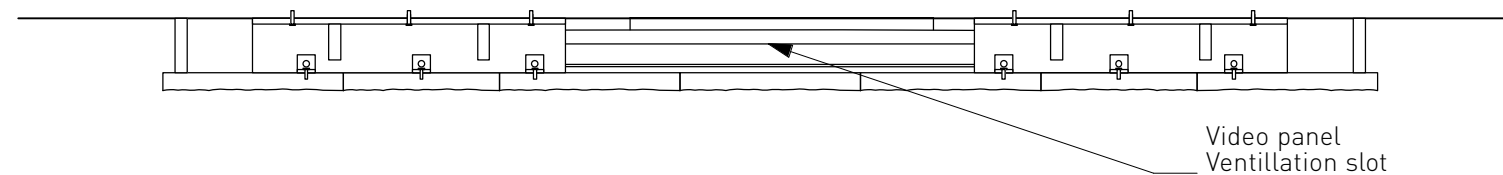
7.0



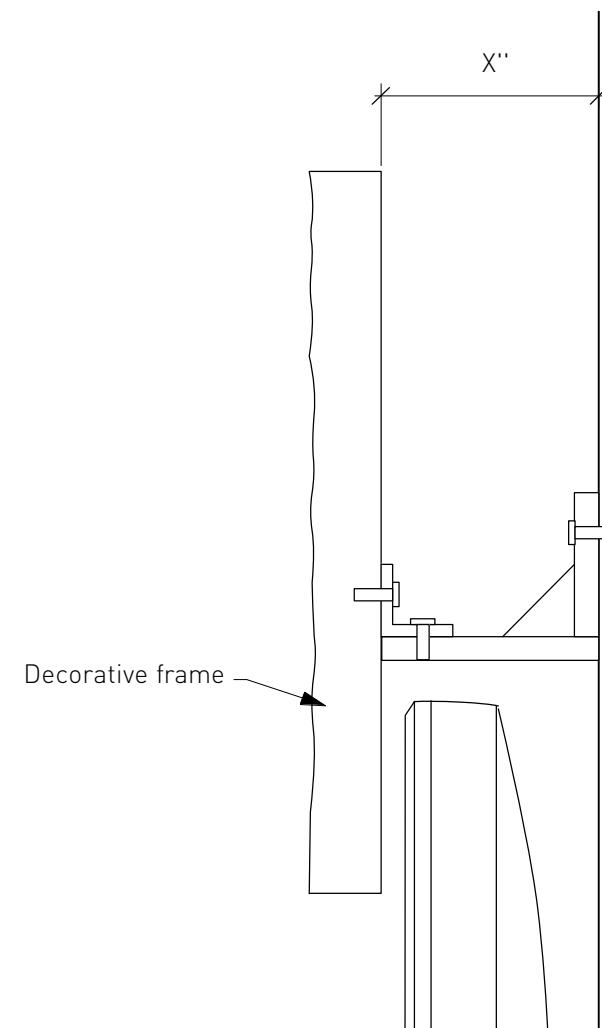
1 7.3 Video Front Elevation
3/4" = 1'-0"



2 7.3 Video Side Elevation
3/4" = 1'-0"



3 7.3 Frame Plan View
1-1/2" = 1'-0"



4 7.3 Frame Corner Detail
6" = 1'-0"



Note:
Exhibit Contractor must fabricate frame from existing reception wall shown in photo.



Written dimensions supercede scaled measurements. Contractors and fabricators shall verify & be responsible for verifying all dimensions and conditions on site and inform Content Design Collaborative of any discrepancy in drawings prior to performing the work.

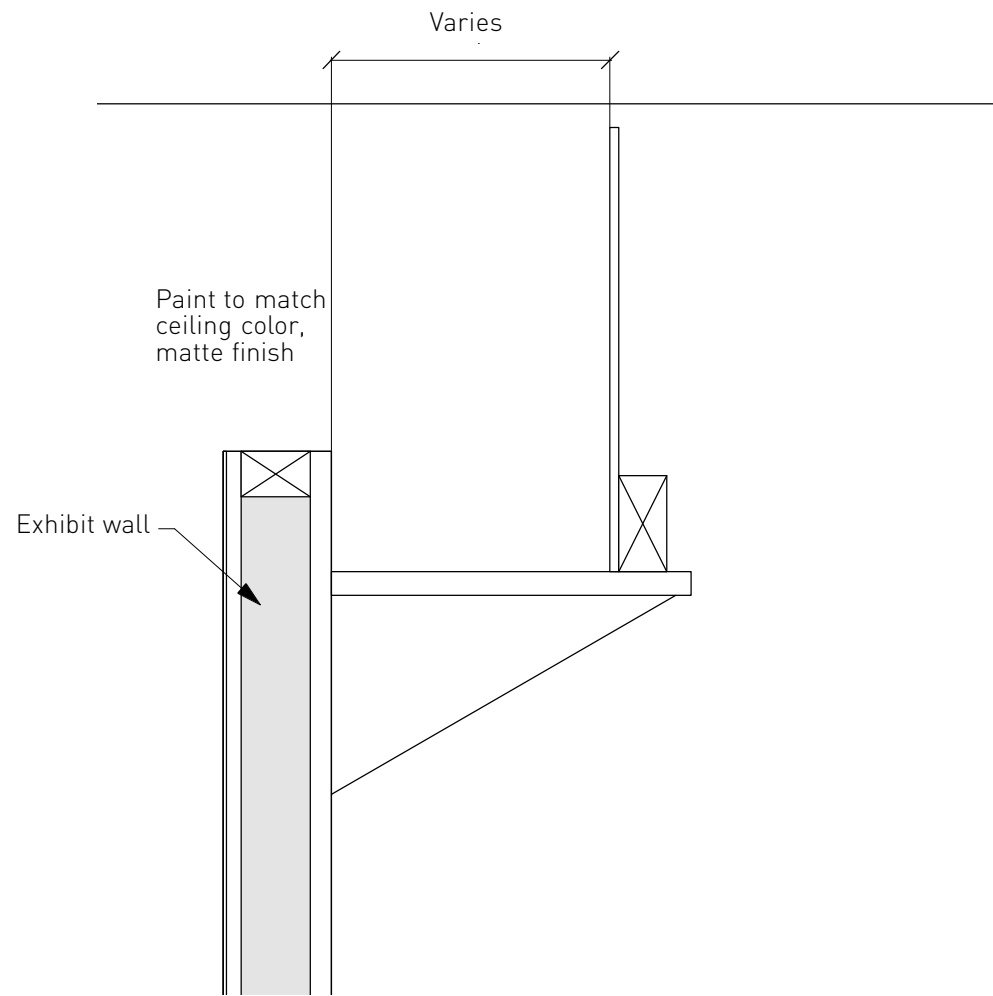
This document represents design intent only. Contractors and fabricators shall comply with all local electrical, structural & safety codes. Content Design Collaborative LLC will NOT assume responsibility or liability for inappropriate engineering, construction, handling or installation of any component represented herein.

DATES ISSUED

8.30.11 Review
2.15.12 Task 3

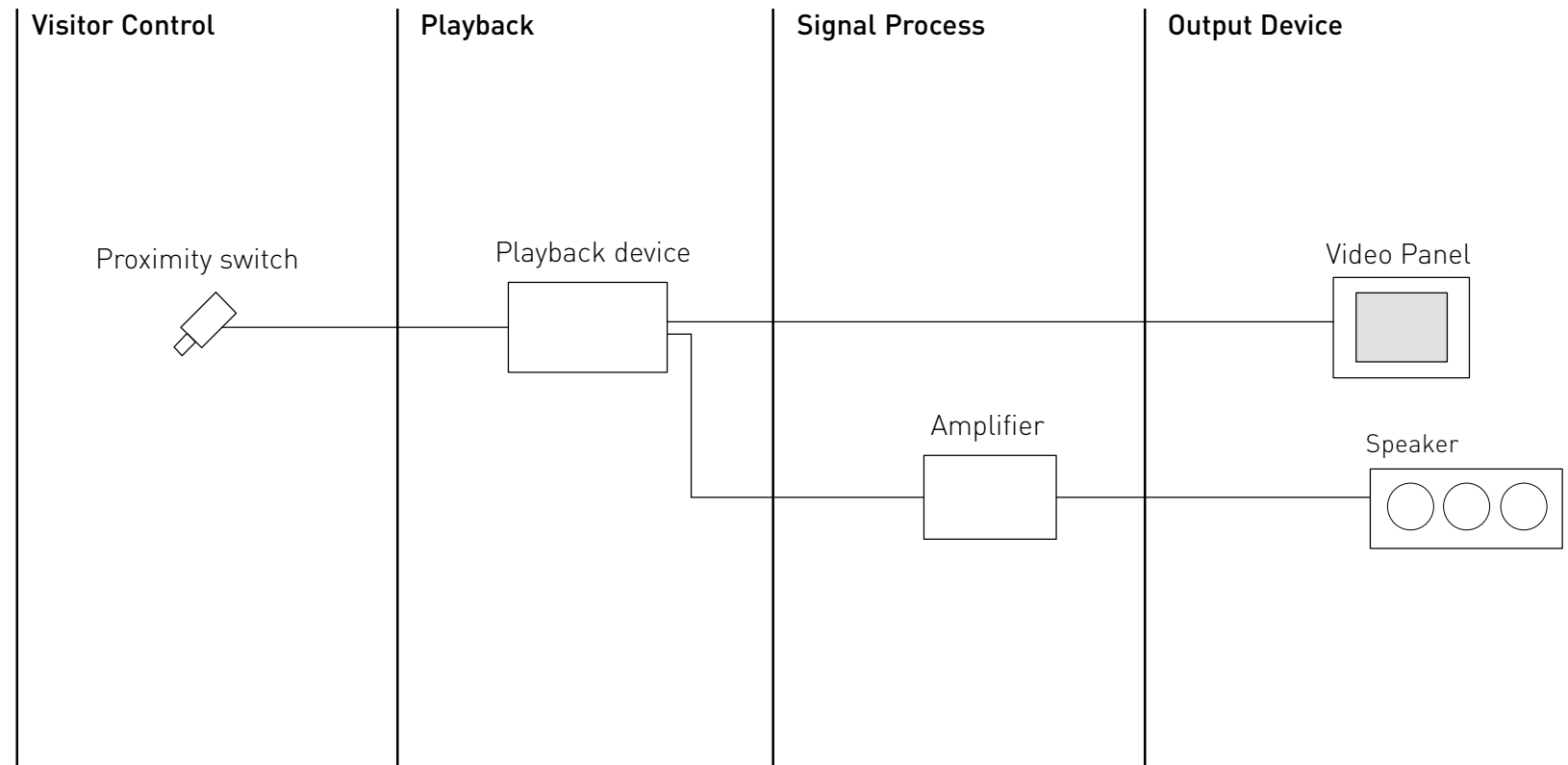
Drawn by:
SS

Title
7.3 Video & Frame



1 Baffle Detail
1" = 1'-0"

3.5 Serotiny Video



Product List

Qty	Mfg.	Model	Description
1	Meyer Sound	UP-4XP	Ultra compact speaker
1	ViewSonic	VFM1035-52	Video playback
2	Dakota Sound		Mounting U-bracket
1	Alcorn McBride	AM4/E	Solid state player w/ ethernet
1	Bogen	ANS501	Ambient noise sensor and microphone
1	Museum Tech.	BB-150	Motion detector with power supply



Written dimensions supercede scaled measurements. Contractors and fabricators shall verify & be responsible for verifying all dimensions and conditions on site and inform Content Design Collaborative of any discrepancy in drawings prior to performing the work.

This document represents design intent only. Contractors and fabricators shall comply with all local electrical, structural & safety codes. Content Design Collaborative LLC will NOT assume responsibility or liability for inappropriate engineering, construction, handling or installation of any component represented herein.

DATES ISSUED

2.15.12 Task 3
5.31.12 Task 4
6.14.12 Spkr.

Drawn by:
SS

Title

General Details

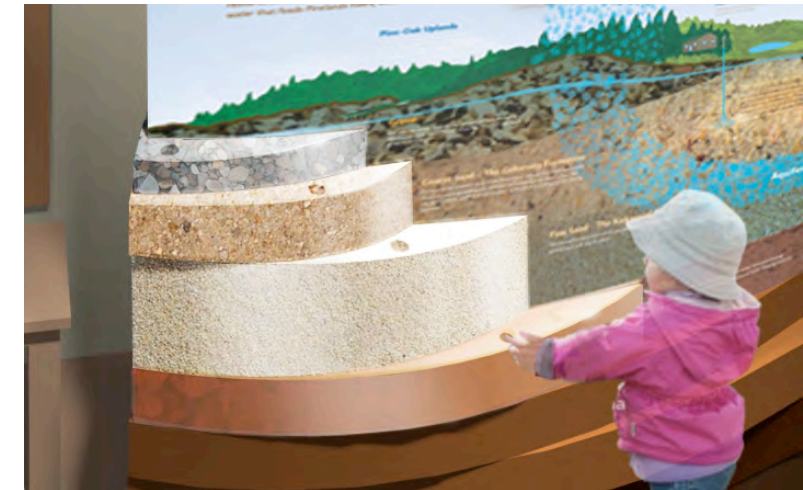
8.0



1 Area 1.0



2 Area 2.0



3 Area 2.0 Detail



4 Area 3.0, 4.0, 6.0 Sculpture



4 Area 4.0, 5.0/1.2



Written dimensions supercede scaled measurements. Contractors and fabricators shall verify & be responsible for verifying all dimensions and conditions on site and inform Content Design Collaborative of any discrepancy in drawings prior to performing the work.

This document represents design intent only. Contractors and fabricators shall comply with all local electrical, structural & safety codes. Content Design Collaborative LLC will NOT assume responsibility or liability for inappropriate engineering, construction, handling or installation of any component represented herein.

DATES ISSUED

5.31.12 Task 4

Drawn by:
SS

Title

Renderings

8.1